



DOOR  
HANDLES

Innovation for **total VISION™**

Ozone continues with the concept of 'Total Vision' to create transparent & elegant commercial spaces. Every fitting in our Architectural Glass Hardware range is designed to meet the concept of 'Total Vision'.

Ozone is a young, dynamic company offering Architectural Hardware & Security Solutions through a wide range of standard and customized products. A solution-centric approach has enabled Ozone to grow from a startup to one of the leading brands in the Architectural Hardware Industry. Globally, the Company has made its footprint by supplying goods to almost 40+ countries. With a Global Perspective in mind right from its inception, the Company has ensured each product has the quality and certifications so that they can be offered to all markets.

**Manufacturing Capability**

Our state-of-the-art Manufacturing Facilities backed by design capability enable us to provide other OEM services in India and Overseas. We can offer Stainless Steel OEM services for manufacturing of Casted, Machine Turning, & Sheet Metal Components in all grades of Stainless Steel and other metals.

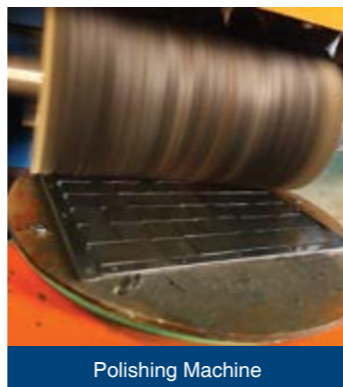


**AUTOMATED STATE-OF-THE-ART Manufacturing Facility**

Our **manufacturing** units are equipped with the latest CNC Machines, Hi-Tech Laser Machines, Water-Jet Cutting Machines, and Automatic Polishing and Robotic Welding Machines to deliver consistent finishes. All units have unique operations that work together continuously at maximum efficiency. Each product is checked for quality and perfection, ensuring the highest level of customer satisfaction.



VMC (Vertical Machine Centre)



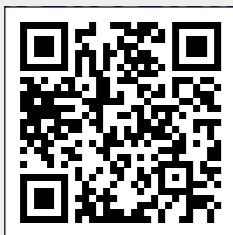
Polishing Machine



CNC Punching Machine



Welding Centre



Scan QR Code for Manufacturing Facility

**Cluster-1**  
Kala Amb,  
Himachal Pradesh,  
India

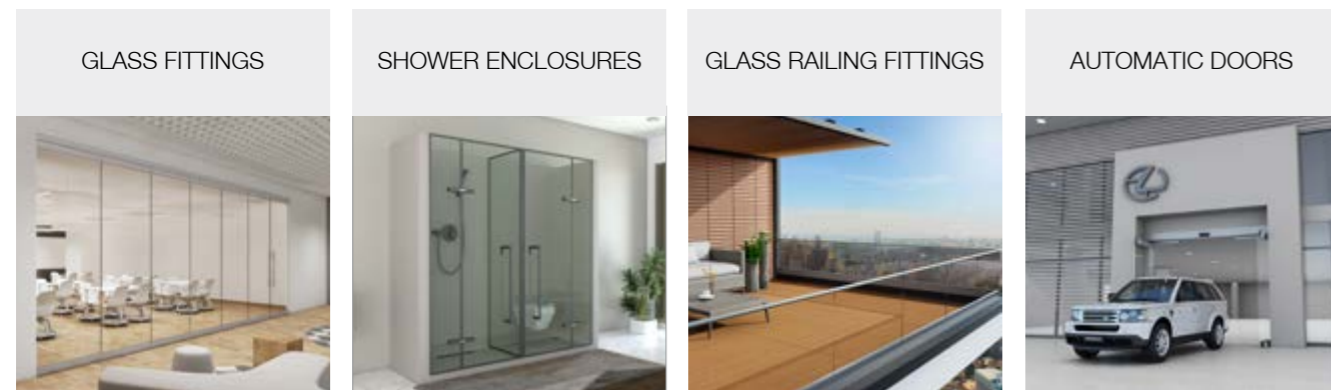


**Cluster-2**  
Ghiloth,  
Rajasthan Industrial Area,  
India

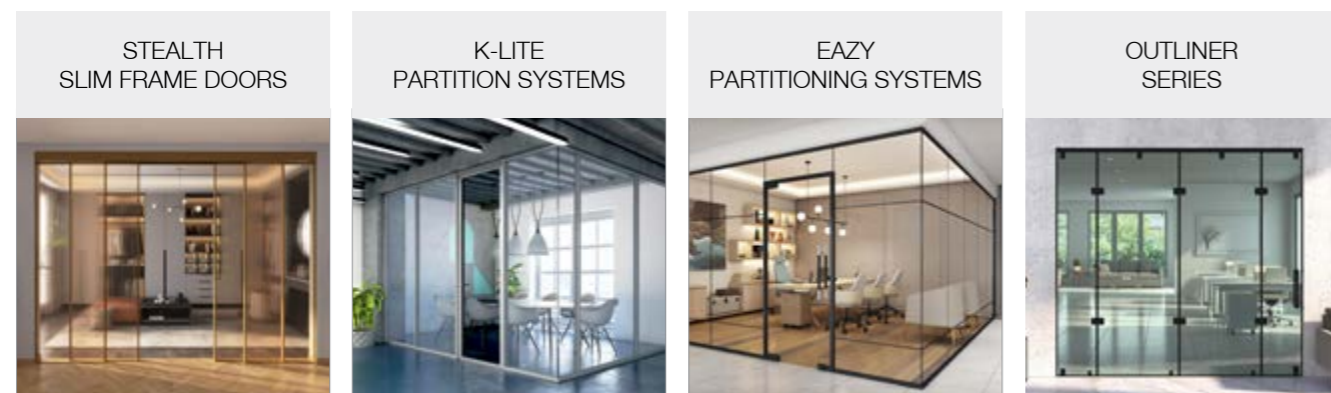
## Our Product Range

For over two decades, Ozone has offered Architectural Hardware & Security Solutions with a diversified portfolio of more than 5000 products. These products are tested and certified internationally for quality, functionality, and performance.

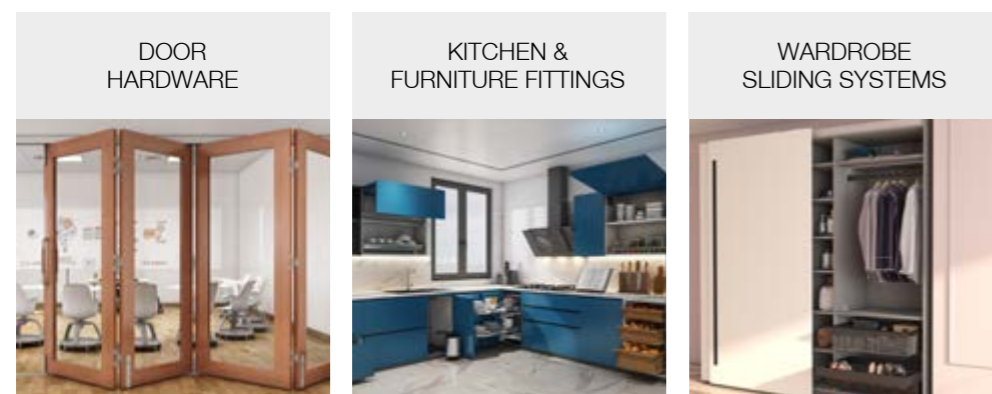
### Architectural Hardware



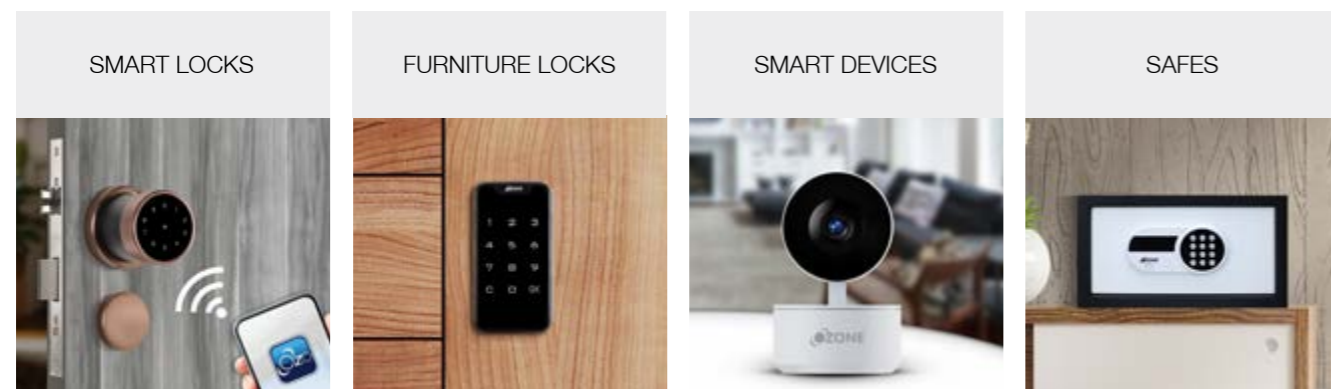
### Glass Partition Systems



### Door Hardware, Kitchen & Furniture Fittings



### Security Solutions



# CONTENTS

## NEBULA

TAURUS	01-02
LEO	03
ORION	04

## ASTRO

NYX	07
ONYX	08
POLARIS	09
VEGA	10
SIRIUS	11
ALPHA	12
POLLUX	13
GAIA	14

## ARIES

DELTA	17-18
APOLLO	19-20
HORIZON	21-22
VOYAGER	23-24
KEPLER	25-26
FALCON	27-28

CONTRACTOR SERIES	29
-------------------	----

INOX SERIES	30-31
-------------	-------

TUBULAR MORTISE HANDLES	31-35
-------------------------	-------

MORTISE LOCK BODIES	36-40
---------------------	-------

## SECURITY & LOCKS

LATCH LOCK	41
EURO PROFILE CYLINDERS	41-46
CONTRACTOR PRO SERIES	47

NEBULA  
series





# TAURUS

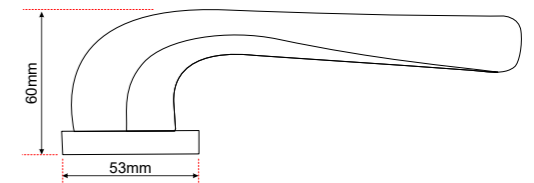
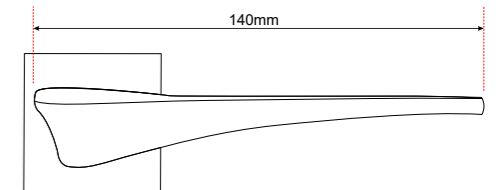
NEBULA



OZH-NEB-TAU RS ROSE GOLD  
Door Handle

**Specifications**

- Material : High-quality Zinc Alloy
- Spindle : 8x8mm
- Lock Body : 45x85mm
- Escutcheons : Matching with Cylinders



NEBULA  
**TAURUS**  
Door Handles

**Available Finishes**



OZH-NEB-TAU RS BM  
Black Matt



OZH-NEB-TAU RS GOLD  
Gold



OZH-NEB-TAU RS ANTIQUE BRASS  
Antique Brass



OZH-NEB-TAU RS SSS  
SSS Matt

**LEO**

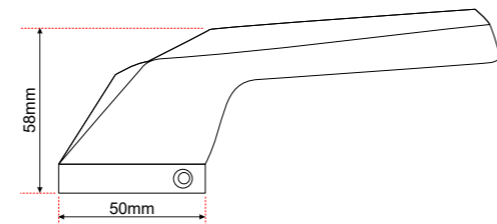
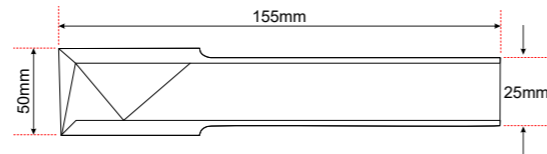
NEBULA



**OZH-NEB-LEO RS ROSE GOLD**  
Door Handle

**Specifications**

- Material : High-quality Zinc Alloy
- Spindle : 8x8mm
- Lock Body : 45x85mm
- Escutcheons : Matching with Cylinders



**Available Finishes**



OZH-NEB-LEO RS BM  
Black Matt



OZH-NEB-LEO RS ANTIQUE BRASS  
Antique Brass



OZH-NEB-LEO RS GOLD  
Gold



OZH-NEB-LEO RS SSS  
SSS Matt

**ORION**

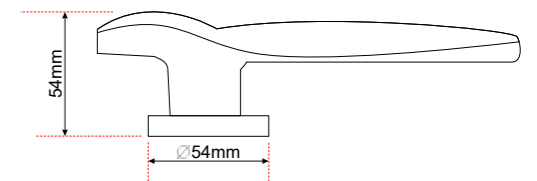
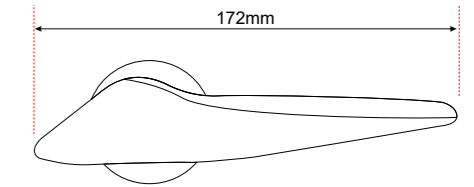
NEBULA



**OZH-NEB-ORI RS ROSE GOLD**  
Door Handle

**Specifications**

- Material : High-quality Zinc Alloy
- Spindle : 8x8mm
- Lock Body : 45x85mm
- Escutcheons : Matching with Cylinders



**Available Finishes**



OZH-NEB-ORI RS BM  
Black Matt



OZH-NEB-ORI RS ANTIQUE BRASS  
Antique Brass



OZH-NEB-ORI RS GOLD  
Gold



OZH-NEB-ORI RS SSS  
SSS Matt

ASTRO  
series



NYX

New

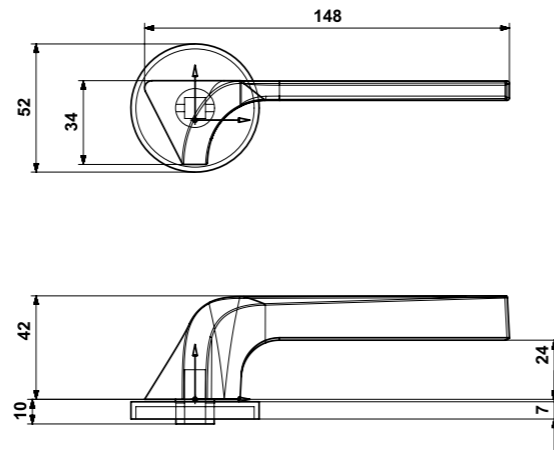
ASTRO



OZH-AST-NYX RS ROSE GOLD  
Door Handle

**Specifications**

- Material : High-quality Zinc Alloy
- Spindle : 8x8mm
- Lock Body : 45x85mm
- Escutcheons : Matching with Cylinders



**Available Finishes**



OZH-AST-NYX RS BM  
Black Matt



OZH-AST-NYX RS CP/SN  
SSS Matt



OZH-AST-NYX RS GOLD  
Gold



OZH-AST-NYX RS ANTIQUE BRASS  
Antique Brass

ONYX

New

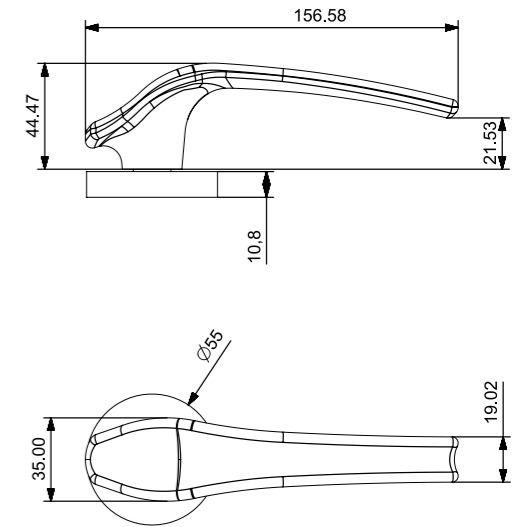
ASTRO



OZH-AST-ONY RS ROSE GOLD  
Door Handle

**Specifications**

- Material : High-quality Zinc Alloy
- Spindle : 8x8mm
- Lock Body : 45x85mm
- Escutcheons : Matching with Cylinders



**Available Finishes**



OZH-AST-ONY RS BM  
Black Matt



OZH-AST-ONY RS CP/SN  
SSS Matt



OZH-AST-ONY RS ANTIQUE BRASS  
Antique Brass



OZH-AST-ONY RS GOLD  
Gold



**POLARIS**

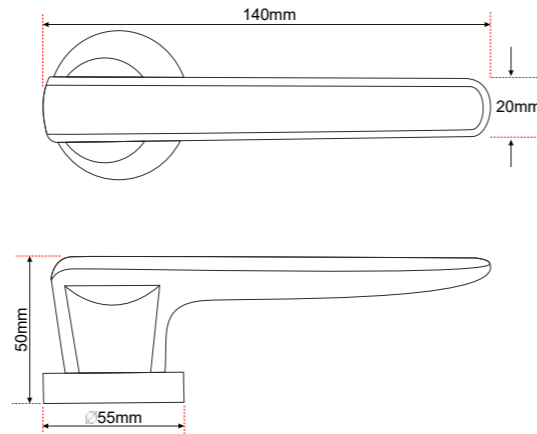
ASTRO



OZH-AST-POL RS GREY ROSE GOLD  
Door Handle

**Specifications**

- Material : High-quality Zinc Alloy
- Spindle : 8x8mm
- Lock Body : 45x85mm
- Escutcheons : Matching with Cylinders



**Available Finishes**



OZH-AST-POL RS ANTIQUE BRASS  
Antique Brass



OZH-AST-POL RS CP/SN  
SSS Matt

**VEGA**

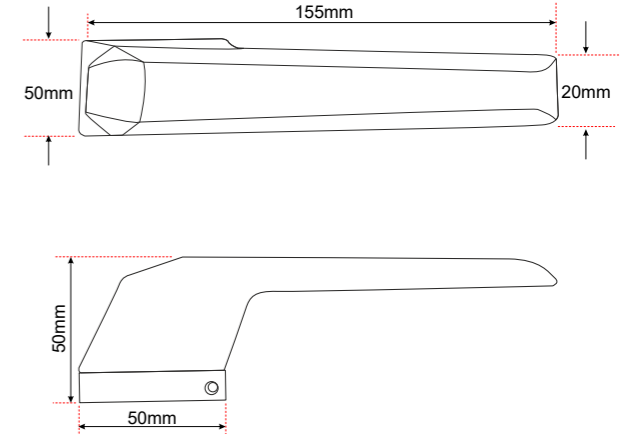
ASTRO



OZH-AST-VEG RS ROSE GOLD  
Door Handle

**Specifications**

- Material : High-quality Zinc Alloy
- Spindle : 8x8mm
- Lock Body : 45x85mm
- Escutcheons : Matching with Cylinders



**Available Finishes**



OZH-AST-VEG RS BM  
Black Matt



OZH-AST-VEG RS ANTIQUE BRASS  
Antique Brass



OZH-AST-VEG RS SSS  
SSS Matt

**SIRIUS**

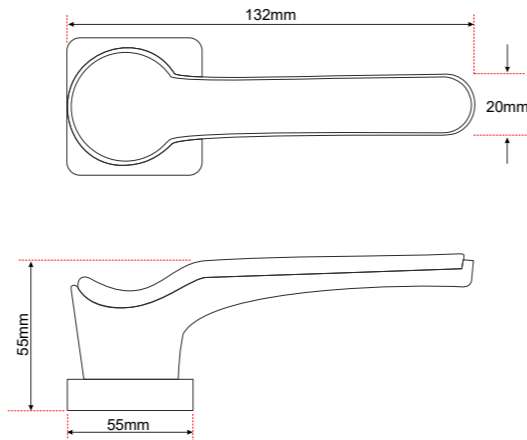
ASTRO



**OZH-AST-SIR RS GREY ROSE GOLD**  
Door Handle

**Specifications**

- Material : High-quality Zinc Alloy
- Spindle : 8x8mm
- Lock Body : 45x85mm
- Escutcheons : Matching with Cylinders



**Available Finishes**



**OZH-AST-SIR RS DUAL BLACK**  
Dual Black



**OZH-AST-SIR RS ANTIQUE BRASS GOLD**  
Antique Brass Gold



**OZH-AST-SIR RS CP/SN**  
SSS Matt

**ALPHA**

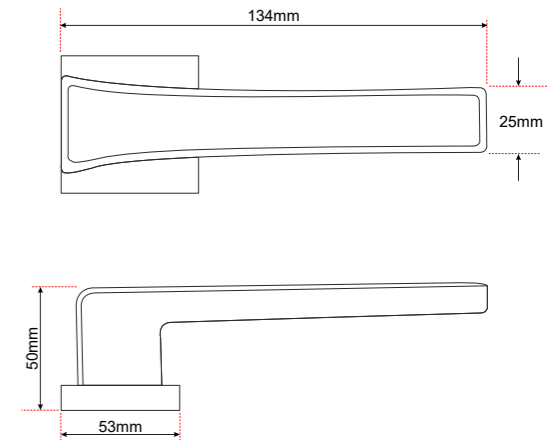
ASTRO



**OZH-AST-ALP RS GREY ROSE GOLD**  
Door Handle

**Specifications**

- Material : High-quality Zinc Alloy
- Spindle : 8x8mm
- Lock Body : 45x85mm
- Escutcheons : Matching with Cylinders



**Available Finishes**



**OZH-AST-ALP RS DUAL BLACK**  
Dual Black



**OZH-AST-ALP RS ANTIQUE BRASS**  
Antique Brass

**POLLUX**

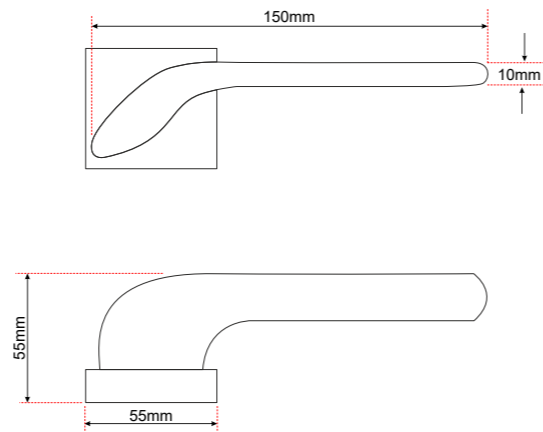
ASTRO



**OZH-AST-LUX RS ROSE GOLD**  
Door Handle

**Specifications**

- Material : High-quality Zinc Alloy
- Spindle : 8x8mm
- Lock Body : 45x85mm
- Escutcheons : Matching with Cylinders



**Available Finishes**



OZH-AST-LUX RS BM  
Black Matt



OZH-AST-LUX RS ANTIQUE BRASS  
Antique Brass



OZH-AST-LUX RS SSS  
SSS Matt

**GAIA**

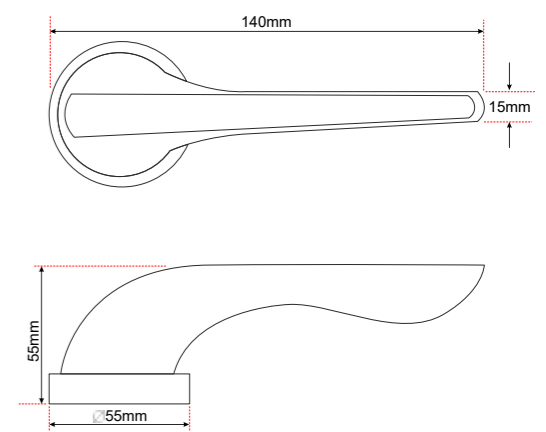
ASTRO



**OZH-AST-GAI RS GREY ROSE GOLD**  
Door Handle

**Specifications**

- Material : High-quality Zinc Alloy
- Spindle : 8x8mm
- Lock Body : 45x85mm
- Escutcheons : Matching with Cylinders



**Available Finishes**



OZH-AST-GAI RS DUAL BLACK  
Dual Black



OZH-AST-GAI RS ANTIQUE BRASS  
Antique Brass



OZH-AST-GAI RS CP/SN  
SSS Matt

ARIES  
series



**DELTA**

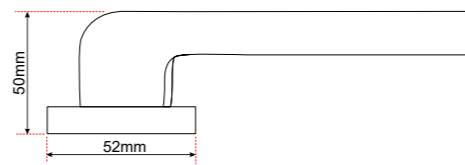
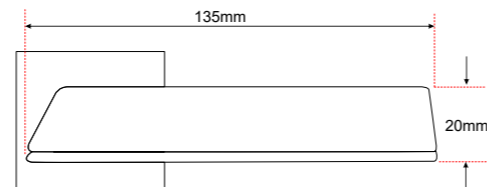
ARIES



**OZH-ARI-DEL RS BLACK ROSE GOLD**  
Door Handle

**Specifications**

- Material : High-quality Zinc Alloy
- Spindle : 8x8mm
- Lock Body : 45x85mm
- Escutcheons : Matching with Cylinders



**Available Finishes**



**OZH-ARI-DEL RS ANTIQUE BRASS GOLD**  
Antique Brass Gold



**OZH-ARI-DEL RS CP/SN**  
SSS Matt



**OZH-ARI-DEL BT RS CP/SN**  
**OZH-ARI-DEL BT RS BLACK ROSE GOLD**  
**OZH-ARI-DEL BT RS ANTIQUE BRASS GOLD**

**DELTA**

ARIES

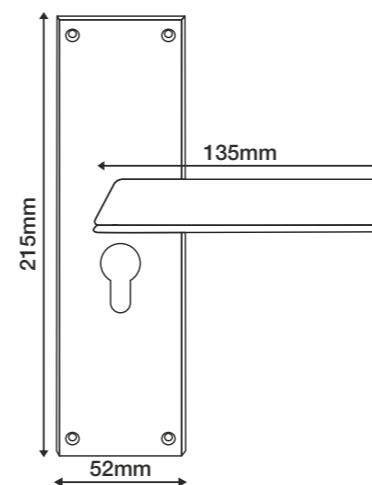


**OZH-ARI-DEL 8" BLACK ROSE GOLD**  
**OZH-ARI-DEL 8" ANTIQUE BRASS GOLD**  
**OZH-ARI-DEL 8" CP/SN**  
Door Handle

**Specifications**

- Material : High-quality Zinc Alloy
- Spindle : 8x8mm
- Lock Body : 45x45mm
- Escutcheons : Matching with Cylinders

**Available Finishes**



**OZH-ARI-DEL BT CP/SN**  
**OZH-ARI-DEL BT BLACK ROSE GOLD**  
**OZH-ARI-DEL BT ANTIQUE BRASS GOLD**



**OZH-ARI-DEL KY CP/SN**  
**OZH-ARI-DEL KY BLACK ROSE GOLD**  
**OZH-ARI-DEL KY ANTIQUE BRASS GOLD**



**OZH-ARI-DEL 10" CP/SN**  
**OZH-ARI-DEL 10" BLACK ROSE GOLD**  
**OZH-ARI-DEL 10" ANTIQUE BRASS GOLD**

**APOLLO**

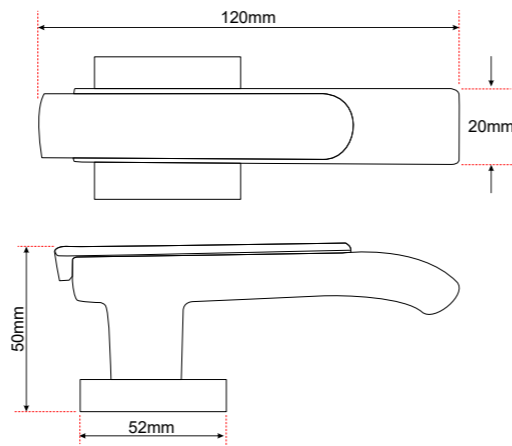
ARIES



**OZH-ARI-APO RS ANTIQUE BRASS**  
Door Handle

**Specifications**

- Material : High-quality Zinc Alloy
- Spindle : 8x8mm
- Lock Body : 45x85mm
- Escutcheons : Matching with Cylinders



**Available Finishes**



OZH-ARI-APO RS CP/SN



OZH-ARI-APO BT RS CP/SN  
OZH-ARI-APO BT RS ANTIQUE BRASS

**APOLLO**

ARIES

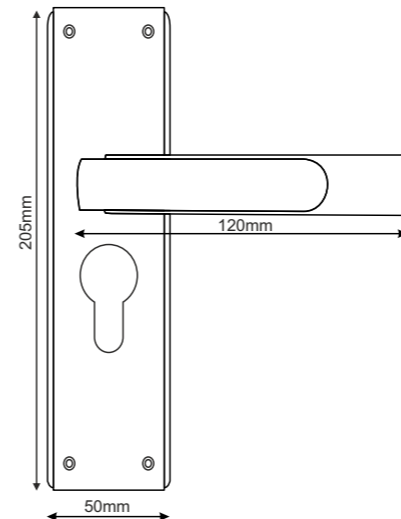


**OZH-ARI-APO 8" ANTIQUE BRASS**  
**OZH-ARI-APO 8" CP/SN**  
Door Handle

**Specifications**

- Material : High-quality Zinc Alloy
- Spindle : 8x8mm
- Lock Body : 45x45mm
- Escutcheons : Matching with Cylinders

**Available Finishes**



OZH-ARI-APO BT CP/SN  
OZH-ARI-APO BT ANTIQUE BRASS



OZH-ARI-APO KY CP/SN  
OZH-ARI-APO KY ANTIQUE BRASS



OZH-ARI-APO 10" CP/SN  
OZH-ARI-APO 10" ANTIQUE BRASS

# HORIZON

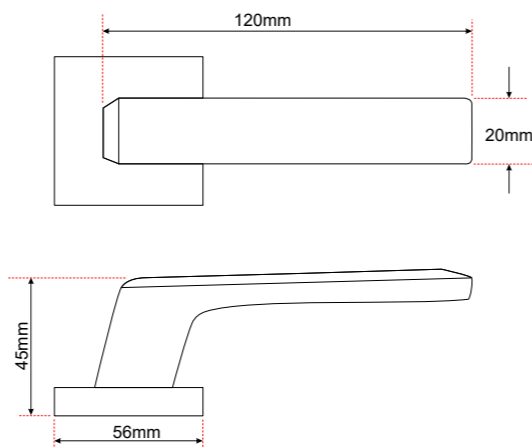
ARIES



**OZH-ARI-HOR RS ANTIQUE BRASS**  
Door Handle

**Specifications**

- Material : High-quality Zinc Alloy
- Spindle : 8x8mm
- Lock Body : 45x85mm
- Escutcheons : Matching with Cylinders



**Available Finishes**



OZH-ARI-HOR RS CP/SN

OZH-ARI-HOR BT RS CP/SN  
OZH-ARI-HOR BT RS ANTIQUE BRASS

# HORIZON

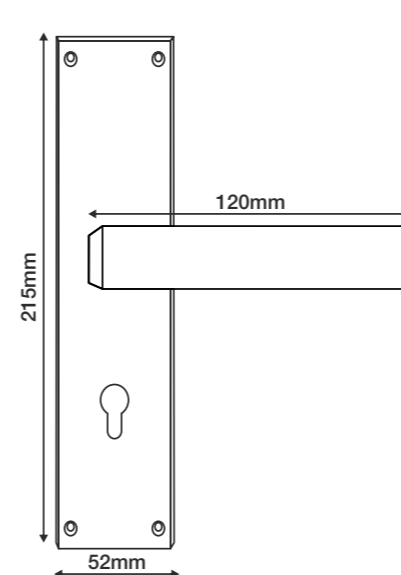
ARIES



**OZH-ARI-HOR 8" ANTIQUE BRASS**  
**OZH-ARI-HOR 8" CP/SN**  
Door Handle

**Specifications**

- Material : High-quality Zinc Alloy
- Spindle : 8x8mm
- Lock Body : 45x45mm
- Escutcheons : Matching with Cylinders



**Available Finishes**



OZH-ARI-HOR BT CP/SN  
OZH-ARI-HOR BT ANTIQUE BRASS

OZH-ARI-HOR KY CP/SN  
OZH-ARI-HOR KY ANTIQUE BRASS

OZH-ARI-HOR 10" CP/SN  
OZH-ARI-HOR 10" ANTIQUE BRASS

**VOYAGER**

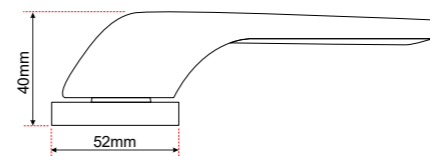
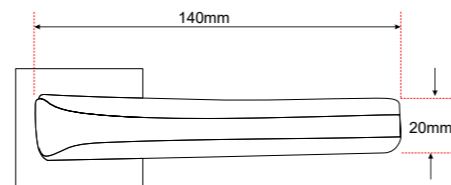
ARIES



OZH-ARI-VOY RS CP/SN  
Door Handle

**Specifications**

- Material : High-quality Zinc Alloy
- Spindle : 8x8mm
- Lock Body : 45x85mm
- Escutcheons : Matching with Cylinders



**Available Finishes**



OZH-ARI-VOY RS ANTIQUE BRASS  
Antique Brass



OZH-ARI-VOY BT RS CP/SN  
OZH-ARI-VOY BT RS ANTIQUE BRASS

**VOYAGER**

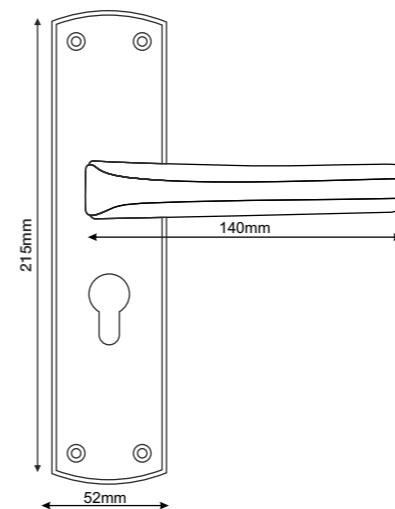
ARIES



OZH-ARI-VOY 8" ANTIQUE BRASS  
OZH-ARI-VOY 8" CP/SN  
Door Handle

**Specifications**

- Material : High-quality Zinc Alloy
- Spindle : 8x8mm
- Lock Body : 45x45mm
- Escutcheons : Matching with Cylinders



**Available Finishes**



OZH-ARI-VOY BT CP/SN  
OZH-ARI-VOY BT ANTIQUE BRASS



OZH-ARI-VOY KY CP/SN  
OZH-ARI-VOY KY ANTIQUE BRASS



OZH-ARI-VOY 10" CP/SN  
OZH-ARI-VOY 10" ANTIQUE BRASS



**KEPLER**

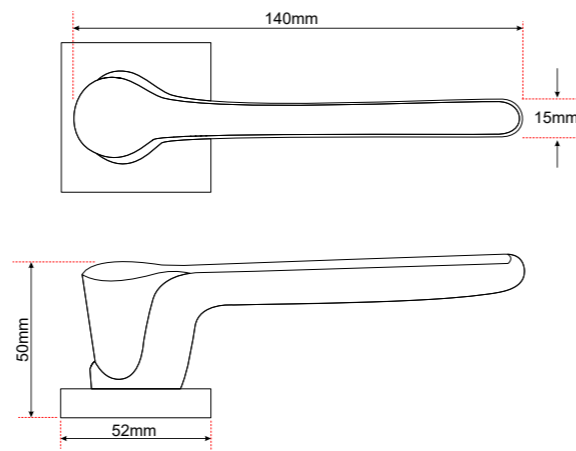
ARIES



OZH-ARI-KEP RS DUAL BLACK  
Door Handle

**Specifications**

- Material : High-quality Zinc Alloy
- Spindle : 8x8mm
- Lock Body : 45x85mm
- Escutcheons : Matching with Cylinders



**Available Finishes**



OZH-ARI-KEP RS CP/SN

OZH-ARI-KEP BT RS CP/SN  
OZH-ARI-KEP BT RS DUAL BLACK

**KEPLER**

ARIES

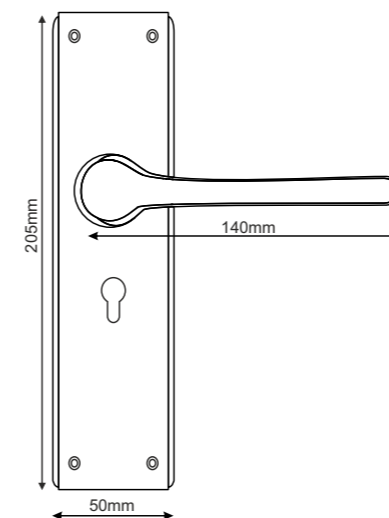


OZH-ARI-KEP 8" DUAL BLACK  
OZH-ARI-KEP 8" ANTIQUE BRASS  
OZH-ARI-KEP 8" CP/SN  
Door Handle

**Specifications**

- Material : High-quality Zinc Alloy
- Spindle : 8x8mm
- Lock Body : 45x45mm
- Escutcheons : Matching with Cylinders

**Available Finishes**



OZH-ARI-KEP BT CP/SN  
OZH-ARI-KEP BT ANTIQUE BRASS

OZH-ARI-KEP KY CP/SN  
OZH-ARI-KEP KY ANTIQUE BRASS

OZH-ARI-KEP 10" CP/SN  
OZH-ARI-KEP 10" ANTIQUE BRASS

**FALCON**

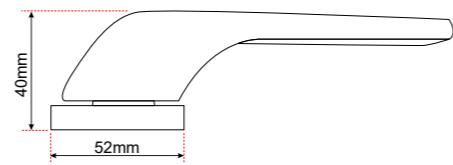
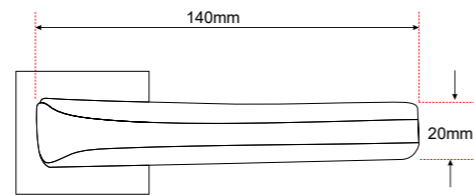
ARIES



**OZH-ARI-FAL RS ANTIQUE BRASS**  
Door Handle

**Specifications**

- Material : High-quality Zinc Alloy
- Spindle : 8x8mm
- Lock Body : 45x85mm
- Escutcheons : Matching with Cylinders



**Available Finishes**



OZH-ARI-FAL RS CP/SN



OZH-ARI-FAL BT RS CP/SN  
OZH-ARI-FAL BT RS ANTIQUE BRASS

**FALCON**

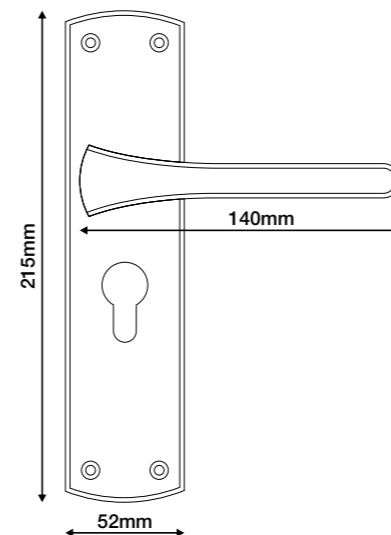
ARIES



**OZH-ARI-FAL 8" ANTIQUE BRASS**  
**OZH-ARI-FAL 8" CP/SN**  
Door Handle

**Specifications**

- Material : High-quality Zinc Alloy
- Spindle : 8x8mm
- Lock Body : 45x45mm
- Escutcheons : Matching with Cylinders



**Available Finishes**



OZH-ARI-FAL BT CP/SN  
OZH-ARI-FAL BT ANTIQUE BRASS



OZH-ARI-FAL KY CP/SN  
OZH-ARI-FAL KY ANTIQUE BRASS



OZH-ARI-FAL 10" CP/SN  
OZH-ARI-FAL 10" ANTIQUE BRASS

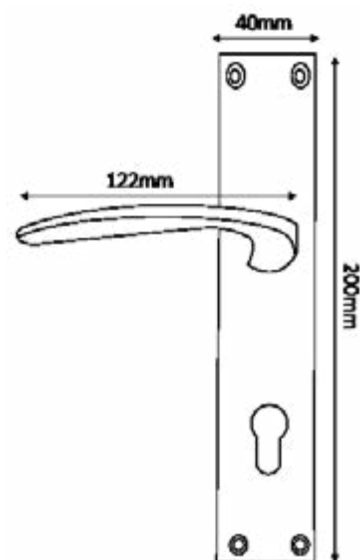
**CONTRACTOR**



**OCX-008-K60 8" SN**  
**OCX-008-N60 8" SN**  
Door Handle

**Specifications**

- Material : High-quality Zinc Alloy
- Spindle : 8x8mm
- Lock Body : 45x45mm
- Escutcheons : Matching with Cylinders



**Available Finishes**



OCX-BT5 STD SN

OCX-KY5 STD SN

OCX-008-K60 10" SN  
OCX-008-N60 10" SN

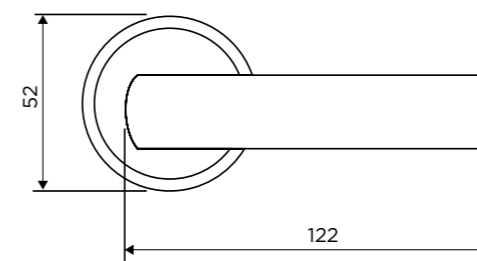
**INOX SERIES - SOLID CASTED**



**OMH-11C STD SSS**  
Inox Series Mortise Handle

**Specifications**

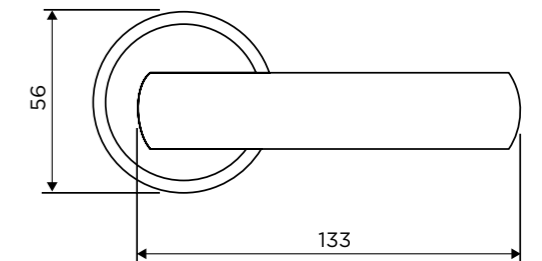
- Solid Casted Mortise Lever Handle
- With Round Rosettes and Escutcheon
- Suit 8mm Follower
- Stainless Steel Grade 304
- Finish: SSS
- Compatible OZONE Lock Bodies:
  - OML-11-A 45\*85MM CP
  - OML-22A-4P 55\*85 STD
  - OML-11-E 45\*85MM SSS
  - OML-11BT STD SSS



**OMH-22C STD SSS**  
Inox Series Mortise Handle

**Specifications**

- Solid Casted Mortise Lever Handle
- With Round Rosettes and Escutcheon
- Suit 8mm Follower
- Stainless Steel Grade 304
- Finish: SSS
- Compatible OZONE Lock Bodies:
  - OML-11-A 45\*85MM CP
  - OML-22A-4P 55\*85 STD
  - OML-11-E 45\*85MM SSS
  - OML-11BT STD SSS



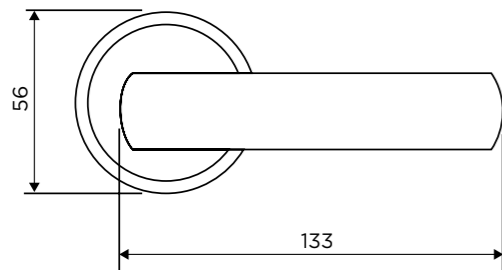
\*Available on request

**INOX SERIES - SOLID CASTED**



**\*OMH-33C STD SSS**  
Inox Series Handle

- Specifications**
- Solid Casted Mortise Lever Handle
  - Stainless Steel Grade 304
  - Finish: SSS

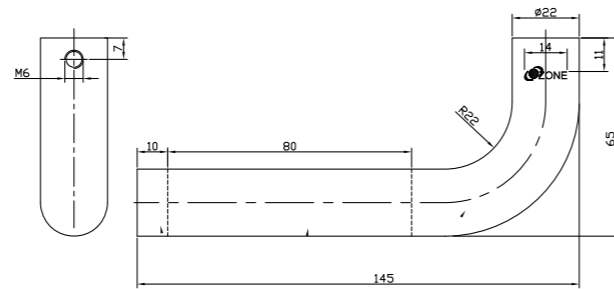


**TUBULAR MORTISE HANDLES - OMH**



**OMH-11N STD SSS/PSS**  
L-shape Mortise Handle in SSS Finish

- Specifications**
- L-Shape Mortise Tubular Lever Handle
  - With Round Rosettes and Escutcheon
  - Suit 8mm Follower
  - Stainless Steel Grade 304
  - Finish: SSS/PSS
  - Compatible OZONE Lock Bodies:
    - OML-11-A 45\*85MM CP
    - OML-22A-4P 55\*85 STD
    - OML-11-E 45\*85MM SSS
    - OML-11BT STD SSS

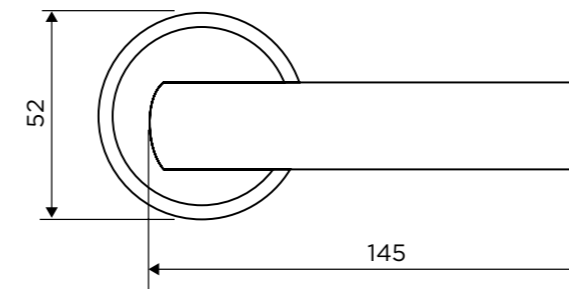


**TUBULAR MORTISE HANDLES - OMH**



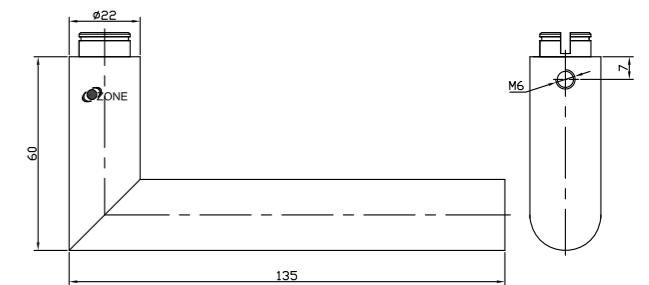
**OMH-33N STD SSS**  
Mortise Handle for Narrow Style Doors

- Specifications**
- D-Shape Tubular Mortise Lever Handle for Narrow Style Doors
  - With Oval Rosettes and Escutcheon
  - Suit 8mm Follower
  - Stainless Steel Grade 304
  - Finish: SSS



**OMH-11LN STD SSS**  
Mortise Handle for Narrow Style Doors

- Specifications**
- L-Shape Tubular Mortise Lever Handle for Narrow Style Doors
  - With Oval Rosettes and Escutcheon
  - Suit 8mm Follower
  - Stainless Steel Grade 304
  - Finish: SSS
  - Compatible OZONE Lock Bodies:
    - OML-11-A 45\*85MM CP
    - OML-22A-4P 55\*85 STD
    - OML-11-E 45\*85MM SSS
    - OML-11BT STD SSS



**TUBULAR MORTISE HANDLES - OMH**

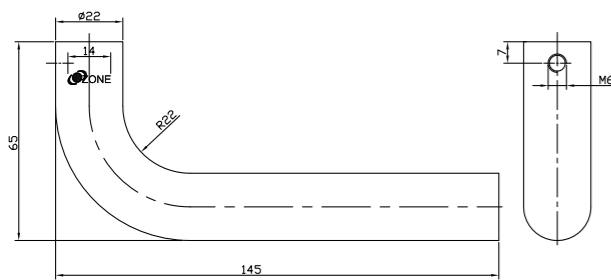


**OMH-11 STD SSS**

Tubular Mortise Handle in SSS Finish

**Specifications**

- L-Shape Tubular Mortise Lever Handle
- With Round Rosettes and Escutcheon
- Suit 8mm Follower
- Stainless Steel Grade 304
- Finish: SSS/PSS
- Compatible OZONE Lock Bodies:
  - OML-11-A 45\*85MM CP
  - OML-22A-4P 55\*85 STD
  - OML-11-E 45\*85MM SSS
  - OML-11BT STD SSS

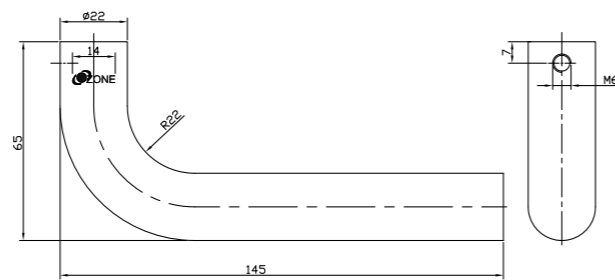


**OMH-11 19M STD SSS**

Tubular Mortise Handle in SSS Finish

**Specifications**

- L-Shape Tubular Mortise Lever Handle
- Material: Stainless Steel
- Grade: 304
- Finish: SSS



**TUBULAR MORTISE HANDLES - OMH**

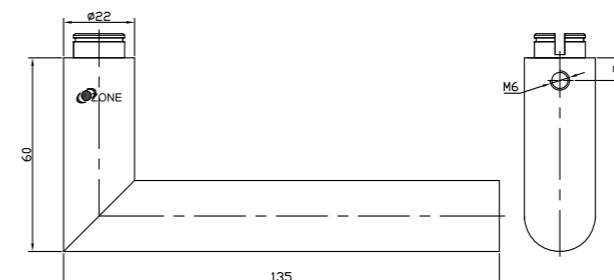


**OMH-11L STD SSS**

Mortise Handle in SSS Finish

**Specifications**

- L-Shape Tubular Mortise Lever Handle
- With Round Rosettes and Escutcheon
- Suit 8mm Follower
- Stainless Steel Grade 304
- Finish: SSS
- Compatible OZONE Lock Bodies:
  - OML-11-A 45\*85MM CP
  - OML-22A-4P 55\*85 STD
  - OML-11-E 45\*85MM SSS
  - OML-11BT STD SSS

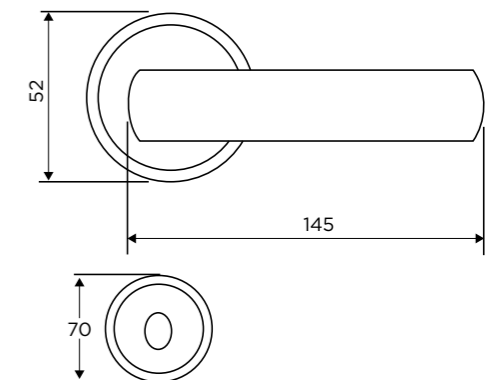


**OMH-33 STD SSS**

D-Type Mortise Handle

**Specifications**

- D-Type Mortise Lever Handle
- With Round Rosettes and Escutcheon
- Suit 8mm Follower
- Stainless Steel Grade 304
- Finish: SSS
- Compatible OZONE Lock Bodies:
  - OML-11-A 45\*85MM CP
  - OML-22A-4P 55\*85 STD
  - OML-11-E 45\*85MM SSS
  - OML-11BT STD SSS

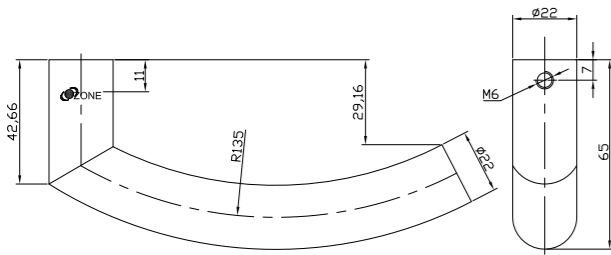


**TUBULAR MORTISE HANDLES - OMH**



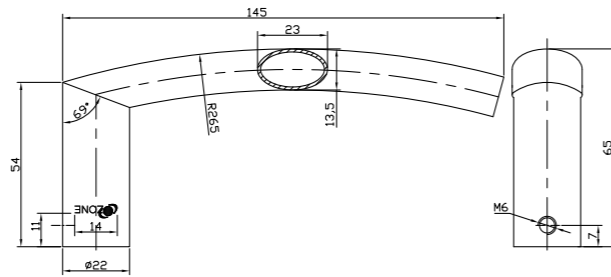
**OMH-44 STD SSS**  
Mortise Handle in SSS Finish

- Specifications**
- Tubular Mortise Lever Handle
  - With Round Rosettes and Escutcheon
  - Suit 8mm Follower
  - Stainless Steel Grade 304
  - Finish: SSS
  - Compatible OZONE Lock Bodies:
    - OML-11-A 45\*85MM CP
    - OML-22A-4P 55\*85 STD
    - OML-11-E 45\*85MM SSS
    - OML-11BT STD SSS

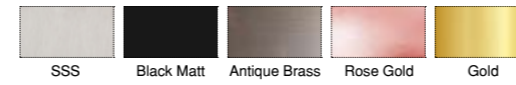


**OMH-55 STD SSS**  
Mortise Handle in SSS Finish

- Specifications**
- L-Shape Tubular Mortise Lever Handle
  - With Round Rosettes and Escutcheon
  - Suit 8mm Follower
  - Stainless Steel Grade 304
  - Finish: SSS/PSS
  - Compatible OZONE Lock Bodies:
    - OML-11-A 45\*85MM CP
    - OML-22A-4P 55\*85 STD
    - OML-11-E 45\*85MM SSS
    - OML-11BT STD SSS



Available Finishes :

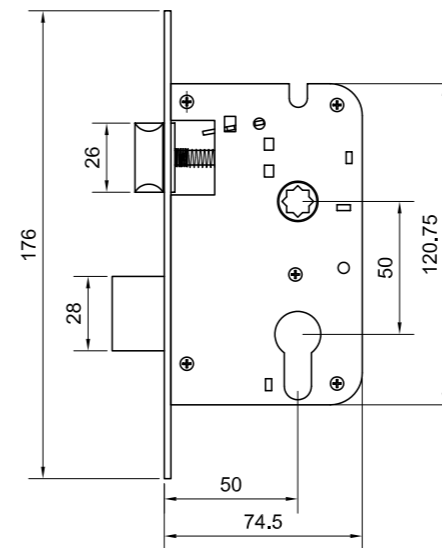


**MORTISE LOCK BODIES**



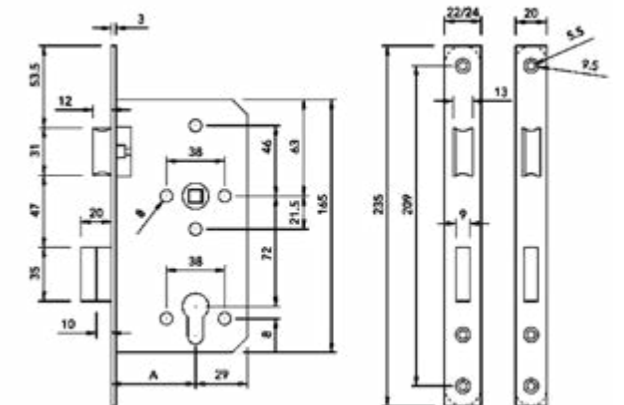
**OML-11-E 50x50MM CP**  
Closed Body Mortise Lock with Dead Bolt & Latch Bolt

- Specifications**
- Suitable to use with 8" Plate Handles



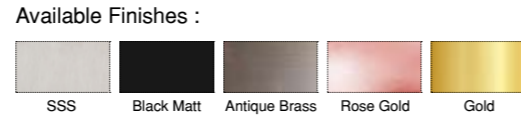
**OML-11A-F 45/85MM SSS**  
Mortise Lock Body Fire Rated with Dead Bolt & Latch Bolt

- Specifications**
- For Wooden Doors
  - For Single Leaf Doors
  - Prepared for Profile Cylinder
  - With Key Action
  - Stainless Steel Latch Bolt
  - Stainless Steel Dead Bolt-2 Turns



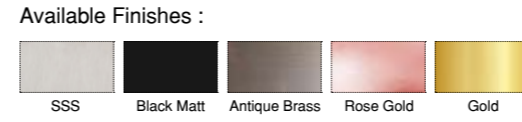
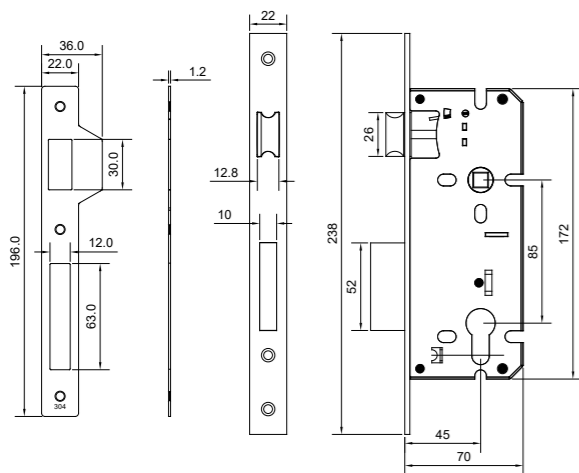


**MORTISE LOCK BODIES**



**OML-11-E2 45x85MM ROSE GOLD-G PVD**  
**OML-11-E2 45x85MM GOLD-G PVD**  
**OML-11-E2 45x85mm CP**  
**OML-11-E2 45x85MM ANTIQUE BRASS**  
**OML-11-E2 45x85MM SSS**  
**OML-11-E2 45x85MM BM**  
 Closed Body Mortise Lock with Dead Bolt & Latch Bolt

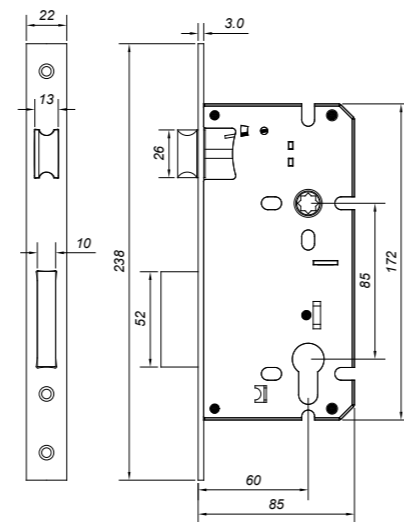
- Specifications**
- For Wooden Doors
  - For Single Leaf Doors
  - Prepared for Euro Profile Cylinder
  - Zinc Alloy Latch Bolt
  - Zinc Alloy Dead Bolt – 2 Way



**MORTISE LOCK BODIES**

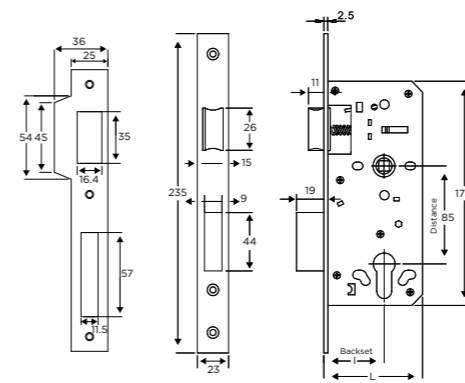


**OML-11-E 60x85MM SSS**  
 Closed Body Mortise Lock with Dead Bolt & Latch Bolt

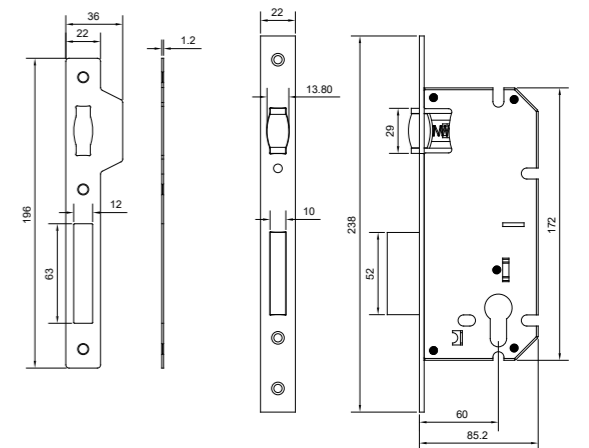


**OML-11BT-N STD**  
 Mortise Lock Body with Knob, used without Cylinder  
 Compatible to OIL-R & OIL-S (to buy separately)

- Specifications**  
**Lock Body Bathroom Type**
- Compatible with Oil-R & Oil-S
  - Can be used with any Model of Mortise Handle
  - For Wooden Doors
  - Soft-Closing Latch Bolt
  - For Single Leaf Doors



**OML-44-RL 60x85MM SSS**  
 Roller Lock Body



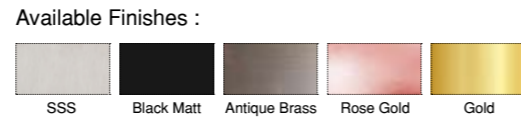
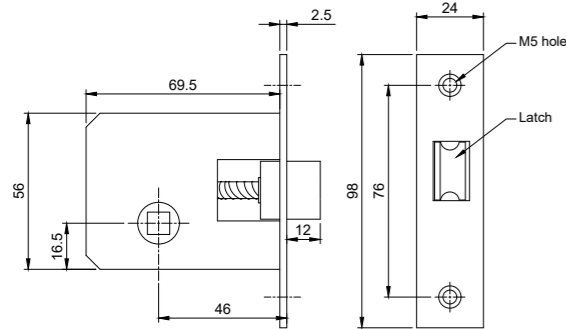


**LATCH LOCK**



OZML-L1-E-O 46.5MM SSS  
 OZML-L1-E-O 46.5MM ROSE GOLD-G PVD  
 OZML-L1-E-O 46.5MM GOLD-G PVD  
 OZML-L1-E-O 46.5MM BM  
 OZML-L1-E-O 46.5MM ANTIQUE BRASS  
 Mortise Lock Body with Soft Closing Latch Bolt

- Specifications**
- Mortise Lock Body with Strike Plate
  - Only Soft-Closing Latch Bolt



**EURO PROFILE CYLINDERS**  
 For Mortise Locks

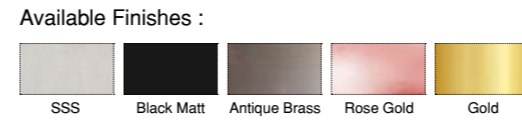
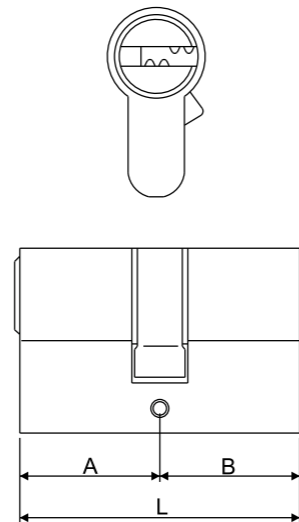


Computerized Keys

OMC-11-K2K-P 60MM SN  
 OMC-11-K2K-P 70MM SN  
 OMC-11-K2K-P 80MM SN

Euro Profile Lock Cylinders Single Security Computerised Key

- Specifications**
- Master & Grand Master Key Available
  - Combination of Double Rows of Standard Pins and a Row Slot Pins
  - High Difficulty in Duplication
  - Unique Identification Number
  - Anti-Drilling Function



**EURO PROFILE CYLINDERS**  
 For Mortise Locks

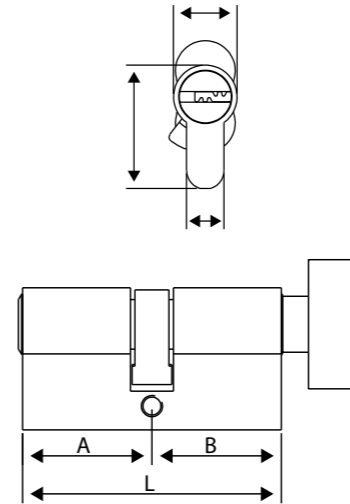


Computerized Keys

OMC-11-K2N-P 60MM SN  
 OMC-11-K2N-P 70MM SN  
 OMC-11-K2N-P 80MM SN

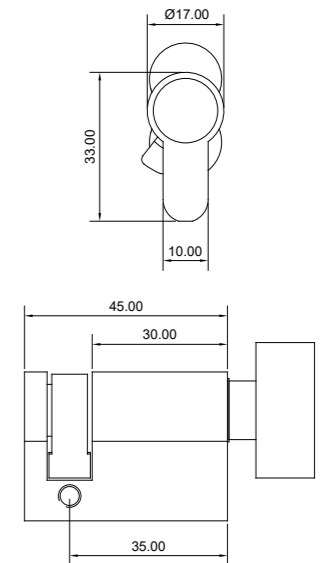
Euro Profile Lock Cylinders Single Security Computerised Key

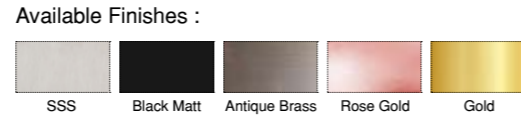
- Specifications**
- Master & Grand Master Key Available
  - Combination of Double Rows of Standard Pins and a Row Slot Pins
  - High Difficulty in Duplication
  - Unique Identification Number
  - Anti-Drilling Function



OMC-22-HC-KNOB-N-45MM SN  
 Half Cylinder with Knob

- Specifications**
- Master & Grand Master Key Available



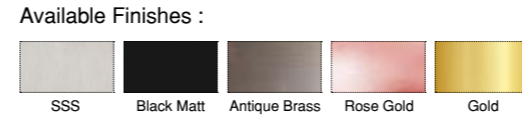
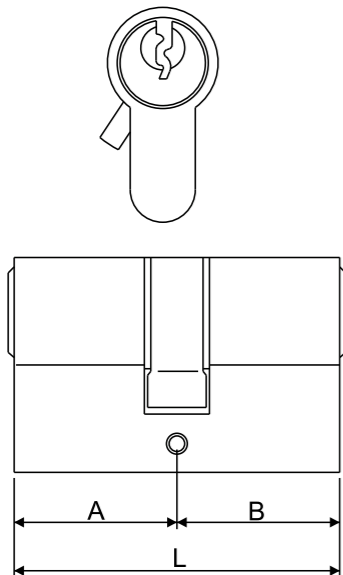


**EURO PROFILE CYLINDERS**  
For Mortise Locks



**OMC-22-K2K-N2-60MM SN**  
**OMC-22-K2K-N2-70MM SN**  
**OMC-22-K2K-N2-80MM SN**  
Both Side Keys

- Specifications**
- Master & Grand Master Key Available
  - For Key-to-Key Application
  - Different Lengths of 60mm, 70mm, 80mm and 100mm
  - Standard Keys
  - Key Accessible from Both Sides
  - Different Lengths for Different Door Thickness
  - Material: Brass

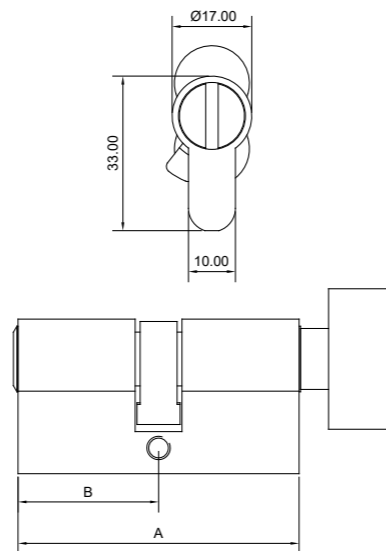


**EURO PROFILE CYLINDERS**  
For Mortise Locks



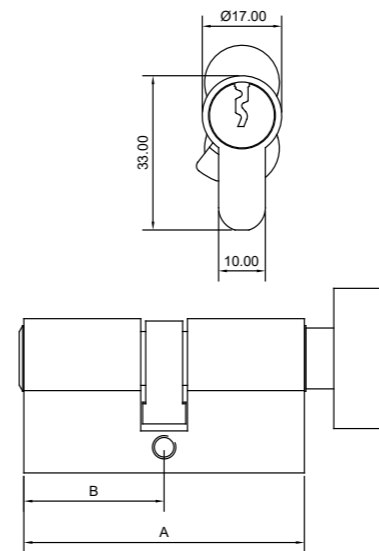
**OMC-22-BT-N 60MM SN**  
**OMC-22-BT-N 70MM SN**  
**OMC-22-BT-N 80MM SN**  
Bathroom Type

- Specifications**
- Master & Grand Master Key Available
  - One Side Knob, One Side Coin Release
  - Different Lengths of 60mm, 70mm, 80mm and 100mm
  - Recommended for use in Bathroom Doors
  - Different Lengths for Different Door Thickness
  - Material: Brass



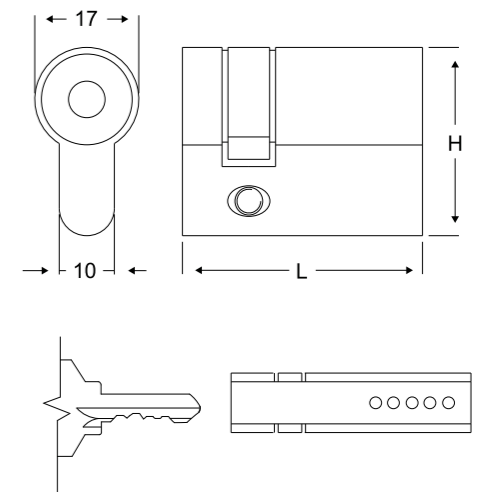
**OMC-22-K2N-N 60MM SN**  
**OMC-22-K2N-N 70MM SN**  
**OMC-22-K2N-N 80MM SN**  
**OMC-22-K2N-N 90MM SN**  
One Side Key One Side Knob

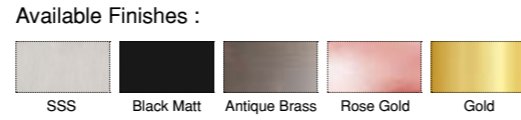
- Specifications**
- Master & Grand Master Key Available
  - For Key-to-Knob Application
  - Different Lengths of 60mm, 70mm, 80mm and 100mm
  - Different Lengths for Different Door Thickness
  - Material: Brass



**OMC-22-HC-KEY-N-45MM SN**  
Half Cylinder with 3 Brass Normal Keys

- Specifications**
- Master & Grand Master Key Available
  - One Side Key, Other Side Blind
  - Length: 45mm = 30mm+10mm+5mm
  - Key Accessible from One Side
  - Material: Brass





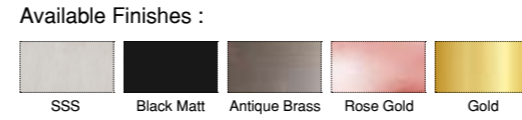
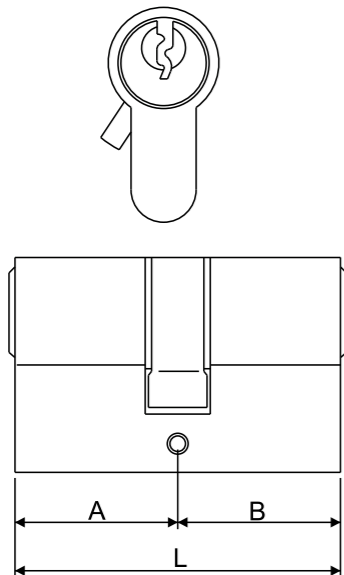
**EURO PROFILE CYLINDERS**  
For Mortise Locks



- OMC-22E-K2K 60MM SN
- OMC-22E-K2K 60MM ANTIQUE BRASS
- OMC-22E-K2K 60MM BM
- OMC-22E-K2K 60MM GOLD-G PVD
- OMC-22E-K2K 60MM ROSE GOLD-G PVD
- OMC-22E-K2K 70MM SN
- OMC-22E-K2K 70MM ANTIQUE BRASS
- OMC-22E-K2K 70MM BM
- OMC-22E-K2K 70MM GOLD-G PVD
- OMC-22E-K2K 70MM ROSE GOLD-G PVD

**Specifications**

- Master & Grand Master Key Available
- Material: Zinc



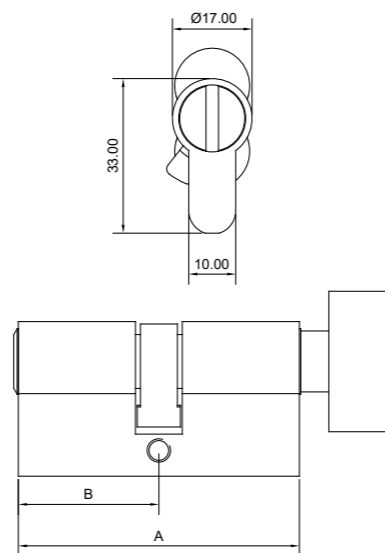
**EURO PROFILE CYLINDERS**  
For Mortise Locks



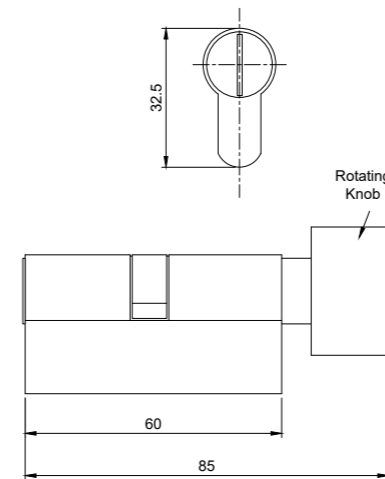
- OMC-22E-K2N 60MM SN
- OMC-22E-K2N 60MM ANTIQUE BRASS
- OMC-22E-K2N 60MM BM
- OMC-22E-K2N 60MM GOLD-G PVD
- OMC-22E-K2N 60MM ROSE-G PVD
- OMC-22E-K2N 70MM SN
- OMC-22E-K2N 70MM ANTIQUE BRASS
- OMC-22E-K2N 70MM BM
- OMC-22E-K2N 70MM GOLD-G PVD
- OMC-22E-K2N 70MM ROSE-G PVD

**Specifications**

- Master & Grand Master Key Available
- Material: Zinc

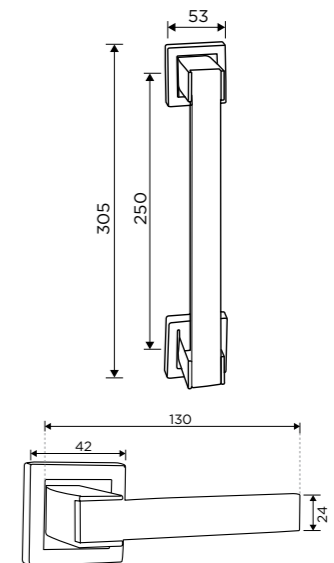


- OMC-22E-BT-N 60MM SN
- OMC-22E-BT-N 60MM BM
- OMC-22E-BT-N 60MM ANTIQUE BRASS
- OMC-22E-BT-N 60MM GOLD-G PVD
- OMC-22E-BT-N 60MM ROSE GOLD-G PVD
- OMC-22E-BT-N 70MM SN
- OMC-22E-BT-N 70MM BM
- OMC-22E-BT-N 70MM ANTIQUE BRASS
- OMC-22E-BT-N 70MM GOLD-G PVD
- OMC-22E-BT-N 70MM ROSE GOLD-G PVD



**\*OCXP-002-K60 ME CP/SN**  
Contractor Pro Series Door Handle Kit ME

- Specifications**
1. Lever Handle to Suit 8mm Follower & Other Side Pull Handle
    - Square Rosettes and Escutcheon
    - Material: Zinc | Finish: CP/SN
  2. OML-22A-4P 55X85MM CP
    - Backset: 55mm | CTC: 85mm
    - Material: SS-304 | Finish: CP
  3. OMC-22-K2K-N 60MM SNN
    - Length: 60mm
    - Operation: Both Side Key
    - Material: Brass | Finish: SN

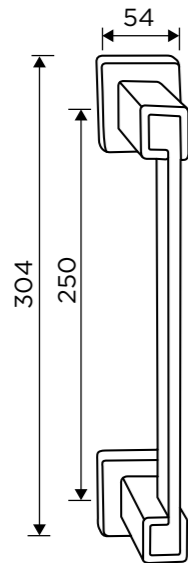


**CONTRACTOR PRO SERIES - OCXP**



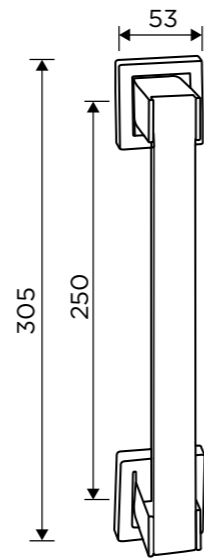
**\*OPX-002-PL 10" CP/SN**  
Premium Series Pull Handle-10"

- Specifications**
- Pull Handle with One Side Installation on Wooden/Metals Doors
  - Overall Length: 305mm, CTC: 250mm
  - Material: Zinc
  - Finish: Dual Finish of PSS/SSS
  - Compatible OZONE Lock Bodies:
    - OML-11-A 45\*85MM CP
    - OML-22A-4P 55\*85 STD
    - OML-11-E 45\*85MM SSS
    - OML-11BT STD SSS



**\*OCXP-002-PL 10" CP/SN**  
Contractor Pro Series 10 inch Pull Handle

- Specifications**
- Pull Handle with One Side Installation on Wooden/Metals Doors
  - Overall Length: 305mm, CTC: 250mm
  - Material: Zinc
  - Finish: Dual Finish of PSS/SSS



**Mortise Handle Set Ordering Guide**

MODEL	CYLINDER	SAP CODE
APOLLO	K60	OZH-ARI-APO-K60 RS ANTIQUE BRASS
APOLLO	N60	OZH-ARI-APO-N60 RS ANTIQUE BRASS
APOLLO	K70	OZH-ARI-APO-K70 RS ANTIQUE BRASS
APOLLO	N70	OZH-ARI-APO-N70 RS ANTIQUE BRASS
APOLLO	K60	OZH-ARI-APO-K60 RS CP/SN
APOLLO	N60	OZH-ARI-APO-N60 RS CP/SN
APOLLO	K70	OZH-ARI-APO-K70 RS CP/SN
APOLLO	K70	OZH-ARI-APO-K70 RS CP/SN
APOLLO	K60	OZH-ARI-APO-K60 8" ANTIQUE BRASS
APOLLO	N60	OZH-ARI-APO-N60 8" ANTIQUE BRASS
APOLLO	K70	OZH-ARI-APO-K70 8" ANTIQUE BRASS
APOLLO	N70	OZH-ARI-APO-N70 8" ANTIQUE BRASS
APOLLO	K60	OZH-ARI-APO-K60 8" CP/SN
APOLLO	N60	OZH-ARI-APO-N60 8" CP/SN
APOLLO	K70	OZH-ARI-APO-K70 8" CP/SN
APOLLO	K70	OZH-ARI-APO-K70 8" CP/SN
APOLLO	K60	OZH-ARI-APO-K60 10" ANTIQUE BRASS
APOLLO	N60	OZH-ARI-APO-N60 10" ANTIQUE BRASS
APOLLO	K70	OZH-ARI-APO-K70 10" ANTIQUE BRASS
APOLLO	N70	OZH-ARI-APO-N70 10" ANTIQUE BRASS
APOLLO	K60	OZH-ARI-APO-K60 10" CP/SN
APOLLO	N60	OZH-ARI-APO-N60 10" CP/SN
APOLLO	K70	OZH-ARI-APO-K70 10" CP/SN
APOLLO	N70	OZH-ARI-APO-K70 10" CP/SN

MODEL	CYLINDER	SAP CODE
HORIZON	K60	OZH-ARI-HOR-K60 RS ANTIQUE BRASS
HORIZON	N60	OZH-ARI-HOR-N60 RS ANTIQUE BRASS
HORIZON	K70	OZH-ARI-HOR-K70 RS ANTIQUE BRASS
HORIZON	N70	OZH-ARI-HOR-N70 RS ANTIQUE BRASS
HORIZON	K60	OZH-ARI-HOR-K60 RS CP/SN
HORIZON	N60	OZH-ARI-HOR-N60 RS CP/SN
HORIZON	K70	OZH-ARI-HOR-K70 RS CP/SN
HORIZON	K70	OZH-ARI-HOR-N70 RS CP/SN
HORIZON	K60	OZH-ARI-HOR-K60 8" ANTIQUE BRASS
HORIZON	N60	OZH-ARI-HOR-N60 8" ANTIQUE BRASS
HORIZON	K70	OZH-ARI-HOR-K70 8" ANTIQUE BRASS
HORIZON	N70	OZH-ARI-HOR-N70 8" ANTIQUE BRASS
HORIZON	K60	OZH-ARI-HOR-K60 8" CP/SN
HORIZON	N60	OZH-ARI-HOR-N60 8" CP/SN
HORIZON	K70	OZH-ARI-HOR-K70 8" CP/SN
HORIZON	K70	OZH-ARI-HOR-N70 8" CP/SN
HORIZON	K60	OZH-ARI-HOR-K60 10" ANTIQUE BRASS
HORIZON	N60	OZH-ARI-HOR-N60 10" ANTIQUE BRASS
HORIZON	K70	OZH-ARI-HOR-K70 10" ANTIQUE BRASS
HORIZON	N70	OZH-ARI-HOR-N70 10" ANTIQUE BRASS
HORIZON	K60	OZH-ARI-HOR-K60 10" CP/SN
HORIZON	N60	OZH-ARI-HOR-N60 10" CP/SN
HORIZON	K70	OZH-ARI-HOR-K70 10" CP/SN
HORIZON	N70	OZH-ARI-HOR-N70 10" CP/SN

### Mortise Handle Set Ordering Guide

MODEL	CYLINDER	SAP CODE
KEPLER	K60	OZH-ARI-KEP-K60 RS CP/SN
KEPLER	N60	OZH-ARI-KEP-N60 RS CP/SN
KEPLER	K70	OZH-ARI-KEP-K70 RS CP/SN
KEPLER	N70	OZH-ARI-KEP-N70 RS CP/SN
KEPLER	K60	OZH-ARI-KEP-K60 RS DUAL BLACK
KEPLER	N60	OZH-ARI-KEP-N60 RS DUAL BLACK
KEPLER	K70	OZH-ARI-KEP-K70 RS DUAL BLACK
KEPLER	K70	OZH-ARI-KEP-N70 RS DUAL BLACK
KEPLER	K60	OZH-ARI-KEP-K60 8" CP/SN
KEPLER	N60	OZH-ARI-KEP-N60 8" CP/SN
KEPLER	K70	OZH-ARI-KEP-K70 8" CP/SN
KEPLER	N70	OZH-ARI-KEP-N70 8" CP/SN
KEPLER	K60	OZH-ARI-KEP-K60 8" DUAL BLACK
KEPLER	N60	OZH-ARI-KEP-N60 8" DUAL BLACK
KEPLER	K70	OZH-ARI-KEP-K70 8" DUAL BLACK
KEPLER	K70	OZH-ARI-KEP-N70 8" DUAL BLACK
KEPLER	K60	OZH-ARI-KEP-K60 10" CP/SN
KEPLER	N60	OZH-ARI-KEP-N60 10" CP/SN
KEPLER	K70	OZH-ARI-KEP-K70 10" CP/SN
KEPLER	N70	OZH-ARI-KEP-N70 10" CP/SN
KEPLER	K60	OZH-ARI-KEP-K60 10" DUAL BLACK
KEPLER	N60	OZH-ARI-KEP-N60 10" DUAL BLACK
KEPLER	K70	OZH-ARI-KEP-K70 10" DUAL BLACK
KEPLER	N70	OZH-ARI-KEP-N70 10" DUAL BLACK

MODEL	CYLINDER	SAP CODE
VOYAGER	K60	OZH-ARI-VOY-K60 RS ANTIQUE BRASS
VOYAGER	N60	OZH-ARI-VOY-N60 RS ANTIQUE BRASS
VOYAGER	K70	OZH-ARI-VOY-K70 RS ANTIQUE BRASS
VOYAGER	N70	OZH-ARI-VOY-N70 RS ANTIQUE BRASS
VOYAGER	K60	OZH-ARI-VOY-K60 RS CP/SN
VOYAGER	N60	OZH-ARI-VOY-N60 RS CP/SN
VOYAGER	K70	OZH-ARI-VOY-K70 RS CP/SN
VOYAGER	K70	OZH-ARI-VOY-N70 RS CP/SN
VOYAGER	K60	OZH-ARI-VOY-K60 8" ANTIQUE BRASS
VOYAGER	N60	OZH-ARI-VOY-N60 8" ANTIQUE BRASS
VOYAGER	K70	OZH-ARI-VOY-K70 8" ANTIQUE BRASS
VOYAGER	N70	OZH-ARI-VOY-N70 8" ANTIQUE BRASS
VOYAGER	K60	OZH-ARI-VOY-K60 8" CP/SN
VOYAGER	N60	OZH-ARI-VOY-N60 8" CP/SN
VOYAGER	K70	OZH-ARI-VOY-K70 8" CP/SN
VOYAGER	K70	OZH-ARI-VOY-N70 8" CP/SN
VOYAGER	K60	OZH-ARI-VOY-K60 10" ANTIQUE BRASS
VOYAGER	N60	OZH-ARI-VOY-N60 10" ANTIQUE BRASS
VOYAGER	K70	OZH-ARI-VOY-K70 10" ANTIQUE BRASS
VOYAGER	N70	OZH-ARI-VOY-N70 10" ANTIQUE BRASS
VOYAGER	K60	OZH-ARI-VOY-K60 10" CP/SN
VOYAGER	N60	OZH-ARI-VOY-N60 10" CP/SN
VOYAGER	K70	OZH-ARI-VOY-K70 10" CP/SN
VOYAGER	N70	OZH-ARI-VOY-K70 10" CP/SN

### Mortise Handle Set Ordering Guide

MODEL	CYLINDER	SAP CODE
FALCON	K60	OZH-ARI-FAL-K60 RS ANTIQUE BRASS
FALCON	N60	OZH-ARI-FAL-N60 RS ANTIQUE BRASS
FALCON	K70	OZH-ARI-FAL-K70 RS ANTIQUE BRASS
FALCON	N70	OZH-ARI-FAL-N70 RS ANTIQUE BRASS
FALCON	K60	OZH-ARI-FAL-K60 RS CP/SN
FALCON	N60	OZH-ARI-FAL-N60 RS CP/SN
FALCON	K70	OZH-ARI-FAL-K70 RS CP/SN
FALCON	K70	OZH-ARI-FAL-N70 RS CP/SN
FALCON	K60	OZH-ARI-FAL-K60 8" ANTIQUE BRASS
FALCON	N60	OZH-ARI-FAL-N60 8" ANTIQUE BRASS
FALCON	K70	OZH-ARI-FAL-K70 8" ANTIQUE BRASS
FALCON	N70	OZH-ARI-FAL-N70 8" ANTIQUE BRASS
FALCON	K60	OZH-ARI-FAL-K60 8" CP/SN
FALCON	N60	OZH-ARI-FAL-N60 8" CP/SN
FALCON	K70	OZH-ARI-FAL-K70 8" CP/SN
FALCON	K70	OZH-ARI-FAL-N70 8" CP/SN
FALCON	K60	OZH-ARI-FAL-K60 10" ANTIQUE BRASS
FALCON	N60	OZH-ARI-FAL-N60 10" ANTIQUE BRASS
FALCON	K70	OZH-ARI-FAL-K70 10" ANTIQUE BRASS
FALCON	N70	OZH-ARI-FAL-N70 10" ANTIQUE BRASS
FALCON	K60	OZH-ARI-FAL-K60 10" CP/SN
FALCON	N60	OZH-ARI-FAL-N60 10" CP/SN
FALCON	K70	OZH-ARI-FAL-K70 10" CP/SN
FALCON	N70	OZH-ARI-FAL-N70 10" CP/SN

K60 - Both Side Key Cylinder 60mm  
 K70 - Both Side Key Cylinder 70mm  
 N60 - One Side Key One Side Knob 60mm  
 N70 - One Side Key One Side Knob 70mm

MODEL	CYLINDER	SAP CODE
DELTA	K60	OZH-ARI-DEL-K60 RS ANTIQUE BRASS GOLD
DELTA	N60	OZH-ARI-DEL-N60 RS ANTIQUE BRASS GOLD
DELTA	K70	OZH-ARI-DEL-K70 RS ANTIQUE BRASS GOLD
DELTA	N70	OZH-ARI-DEL-N70 RS ANTIQUE BRASS GOLD
DELTA	K60	OZH-ARI-DEL-K60 RS BLACK ROSE GOLD
DELTA	N60	OZH-ARI-DEL-N60 RS BLACK ROSE GOLD
DELTA	K70	OZH-ARI-DEL-K70 RS BLACK ROSE GOLD
DELTA	K70	OZH-ARI-DEL-N70 RS BLACK ROSE GOLD
DELTA	K60	OZH-ARI-DEL-K60 RS CP/SN
DELTA	N60	OZH-ARI-DEL-N60 RS CP/SN
DELTA	K70	OZH-ARI-DEL-K70 RS CP/SN
DELTA	N70	OZH-ARI-DEL-N70 RS CP/SN
DELTA	K60	OZH-ARI-DEL-K60 8" ANTIQUE BRASS GOLD
DELTA	N60	OZH-ARI-DEL-N60 8" ANTIQUE BRASS GOLD
DELTA	K70	OZH-ARI-DEL-K70 8" ANTIQUE BRASS GOLD
DELTA	K70	OZH-ARI-DEL-N70 8" ANTIQUE BRASS GOLD
DELTA	K60	OZH-ARI-DEL-K60 8" BLACK ROSE GOLD
DELTA	N60	OZH-ARI-DEL-N60 8" BLACK ROSE GOLD
DELTA	K70	OZH-ARI-DEL-K70 8" BLACK ROSE GOLD
DELTA	N70	OZH-ARI-DEL-N70 8" BLACK ROSE GOLD
DELTA	K60	OZH-ARI-DEL-K60 8" CP/SN
DELTA	N60	OZH-ARI-DEL-N60 8" CP/SN
DELTA	K70	OZH-ARI-DEL-K70 8" CP/SN
DELTA	N70	OZH-ARI-DEL-N70 8" CP/SN
DELTA	K60	OZH-ARI-DEL-K60 8" ANTIQUE BRASS GOLD
DELTA	N60	OZH-ARI-DEL-N60 8" ANTIQUE BRASS GOLD
DELTA	K70	OZH-ARI-DEL-K70 8" ANTIQUE BRASS GOLD
DELTA	K70	OZH-ARI-DEL-N70 8" ANTIQUE BRASS GOLD
DELTA	K60	OZH-ARI-DEL-K60 8" BLACK ROSE GOLD
DELTA	N60	OZH-ARI-DEL-N60 8" BLACK ROSE GOLD
DELTA	K70	OZH-ARI-DEL-K70 8" BLACK ROSE GOLD
DELTA	N70	OZH-ARI-DEL-N70 8" BLACK ROSE GOLD
DELTA	K60	OZH-ARI-DEL-K60 8" CP/SN
DELTA	N60	OZH-ARI-DEL-N60 8" CP/SN
DELTA	K70	OZH-ARI-DEL-K70 8" CP/SN
DELTA	N70	OZH-ARI-DEL-N70 8" CP/SN

**Lock body and Cylinder Buying Guide**  
For **RS & 10 Inch** Mortise Handles - Standard Key

**Lock body and Cylinder Buying Guide**  
For **8 Inch** Mortise Lever Handles - Standard Key

Handle Finish	Lock Body	Description	Cylinder
SSS & CP/SN	OML-11-E2 45x85MM SSS	Coin & Knob for Bathroom	OMC-22E-BT-N 60MM SN
		Both Side Key 60MM Cylinder	OMC-22E-K2K 60MM SN
		Both Side Key 70MM Cylinder	OMC-22E-K2K 70MM SN
		One Side Key One Side Knob 60MM Cylinder	OMC-22E-K2N 60MM SN
		One Side Key One Side Knob 70MM Cylinder	OMC-22E-K2N 70MM SN
BLACK MATT	OML-11-E2 45x85MM BM	Coin & Knob for Bathroom	OMC-22E-BT-N 60MM BM
		Both Side Key 60MM Cylinder	OMC-22E-K2K 60MM BM
		Both Side Key 70MM Cylinder	OMC-22E-K2K 70MM BM
		One Side Key One Side Knob 60MM Cylinder	OMC-22E-K2N 60MM BM
		One Side Key One Side Knob 70MM Cylinder	OMC-22E-K2N 70MM BM
ANTIQUE BRASS	OML-11-E2 45x85MM ANTIQUE BRASS	Coin & Knob for Bathroom	OMC-22E-BT-N 60MM ANTIQUE BRASS
		Both Side Key 60MM Cylinder	OMC-22E-K2K 60MM ANTIQUE BRASS
		Both Side Key 70MM Cylinder	OMC-22E-K2K 70MM ANTIQUE BRASS
		One Side Key One Side Knob 60MM Cylinder	OMC-22E-K2N 60MM ANTIQUE BRASS
		One Side Key One Side Knob 70MM Cylinder	OMC-22E-K2N 70MM ANTIQUE BRASS
ROSE GOLD	OML-11-E2 45x85MM ROSE GOLD-G PVD	Coin & Knob for Bathroom	OMC-22E-BT-N 60MM ROSE GOLD-G PVD
		Both Side Key 60MM Cylinder	OMC-22E-K2K 60MM ROSE GOLD-G PVD
		Both Side Key 70MM Cylinder	OMC-22E-K2K 70MM ROSE GOLD-G PVD
		One Side Key One Side Knob 60MM Cylinder	OMC-22E-K2N 60MM ROSE GOLD-G PVD
		One Side Key One Side Knob 70MM Cylinder	OMC-22E-K2N 70MM ROSE GOLD-G PVD
GOLD	OML-11-E2 45x85MM GOLD-G PVD	Coin & Knob for Bathroom	OMC-22E-BT-N 60MM GOLD-G PVD
		Both Side Key 60MM Cylinder	OMC-22E-K2K 60MM GOLD-G PVD
		Both Side Key 70MM Cylinder	OMC-22E-K2K 70MM GOLD-G PVD
		One Side Key One Side Knob 60MM Cylinder	OMC-22E-K2N 60MM GOLD-G PVD
		One Side Key One Side Knob 70MM Cylinder	OMC-22E-K2N 70MM GOLD-G PVD

Handle Finish	Lock Body	Description	Cylinder
SSS & CP/SN	OML-OCX STD	Coin & Knob for Bathroom	OMC-22E-BT-N 60MM SN
		Both Side Key 60MM Cylinder	OMC-22E-K2K 60MM SN
		Both Side Key 70MM Cylinder	OMC-22E-K2K 70MM SN
		One Side Key One Side Knob 60MM Cylinder	OMC-22E-K2N 60MM SN
		One Side Key One Side Knob 70MM Cylinder	OMC-22E-K2N 70MM SN
BLACK MATT	OML-OCX BM	Coin & Knob for Bathroom	OMC-22E-BT-N 60MM BM
		Both Side Key 60MM Cylinder	OMC-22E-K2K 60MM BM
		Both Side Key 70MM Cylinder	OMC-22E-K2K 70MM BM
		One Side Key One Side Knob 60MM Cylinder	OMC-22E-K2N 60MM BM
		One Side Key One Side Knob 70MM Cylinder	OMC-22E-K2N 70MM BM
ANTIQUE BRASS	OML-OCX ANTIQUE BRASS	Coin & Knob for Bathroom	OMC-22E-BT-N 60MM ANTIQUE BRASS
		Both Side Key 60MM Cylinder	OMC-22E-K2K 60MM ANTIQUE BRASS
		Both Side Key 70MM Cylinder	OMC-22E-K2K 70MM ANTIQUE BRASS
		One Side Key One Side Knob 60MM Cylinder	OMC-22E-K2N 60MM ANTIQUE BRASS
		One Side Key One Side Knob 70MM Cylinder	OMC-22E-K2N 70MM ANTIQUE BRASS
ROSE GOLD	OML-OCX ROSE GOLD-G PVD	Coin & Knob for Bathroom	OMC-22E-BT-N 60MM ROSE GOLD-G PVD
		Both Side Key 60MM Cylinder	OMC-22E-K2K 60MM ROSE GOLD-G PVD
		Both Side Key 70MM Cylinder	OMC-22E-K2K 70MM ROSE GOLD-G PVD
		One Side Key One Side Knob 60MM Cylinder	OMC-22E-K2N 60MM ROSE GOLD-G PVD
		One Side Key One Side Knob 70MM Cylinder	OMC-22E-K2N 70MM ROSE GOLD-G PVD
GOLD	OML-OCX GOLD-G PVD	Coin & Knob for Bathroom	OMC-22E-BT-N 60MM GOLD-G PVD
		Both Side Key 60MM Cylinder	OMC-22E-K2K 60MM GOLD-G PVD
		Both Side Key 70MM Cylinder	OMC-22E-K2K 70MM GOLD-G PVD
		One Side Key One Side Knob 60MM Cylinder	OMC-22E-K2N 60MM GOLD-G PVD
		One Side Key One Side Knob 70MM Cylinder	OMC-22E-K2N 70MM GOLD-G PVD

## International Offices



### Melbourne, Australia

32-40 Tarnard Drive, Braeside VIC  
3195, Tel: +61 1300 088 225  
Mob +61 (0) 4 301 301 02  
info@ozoneaustralia.com.au  
www.ozoneaustralia.com.au



### Dubai, UAE

OZONE MEA TRADING LLC  
Office no 129, Al Uruba Business  
center, garhoud views building,  
mezzanine floor (M1-3) Al  
Garhoud, PO Box 430704,  
Dubai UAE

## Works

### Cluster-1

Ozone Overseas Pvt. Ltd.  
Trilokpur Road, Kheri,  
Nahan District-Sirmour,  
Kala Amb,  
Himachal Pradesh

### Cluster-2

Ozone Overseas Pvt. Ltd.  
Industrial Area Ghiloth,  
Alwar,  
Rajasthan

### For Security Solutions:

#### Gurugram\*

#548 Udyog Vihar, Phase 5,  
Sector 19, Gurugram,  
Haryana - 122016  
Tel: +91 124 4961164, 65

## Experience Centres

### Ozone Experience Centre

Build HQ, Raja Annamalai  
Building, 1st Floor, Rukmani  
Lakshmi pathi Rd, Egmore,  
Chennai, Tamil Nadu - 600008

### Ozone Experience Centre

Mehrauli-Gurgaon Road,  
Opp. Metro Pillar No-94,  
Gadaipur, Sector-28,  
New Delhi - 110030

### Ozone Experience Centre\*

Ground Floor, Eldeco  
Corporate Chamber -1,  
Vibhuti Khand, Gomti  
Nagar, Lucknow - 226010

## Branch Offices

### Ahmedabad

407, 4<sup>th</sup> Floor, Shivalik Abaise,  
Opp. Shell Petrol Pump,  
Pralhadnagar,  
Ahmedabad - 380051  
Tel: +91 079 29706789

### Bengaluru

No. 424, 2<sup>nd</sup> Floor, Above  
HDFC Bank,  
Passport Office Road, 6<sup>th</sup> block,  
Koramangala, Bengaluru - 560034  
Tel: +91 80 41207539  
blrhub@ozone-india.com

### Chandigarh

SCO 907, NAC Mani Majra  
Near Solitaire Hotel,  
Chandigarh - 160101  
Mob: +91 9316001154

### Chennai

1-A, Jasoda Apartments,  
No: 12, Ground Floor, Bank Street,  
Kilpauk, Chennai - 600010  
Tel: 044 43802063

### Cochin

No. 737/11, Opp. Lotus Club,  
Warriam Road, Eranakulam, Cochin  
Kerala - 682016  
Mob: +91 7291981739

### Hyderabad

Unit # 704, 7<sup>th</sup> Floor,  
Shangrila Plaza,  
Road No. 2, Banjara Hills,  
Hyderabad - 500034

### Indore

503, B Block,  
Prakrati Corporate,  
Y N Road, Indore - 452001  
Mob: +91 9589589902

### Jaipur

27, 5<sup>th</sup> Floor, Mahima Trinity Mall,  
Swey Farm, New Sanganer Road,  
Jaipur - 302019  
Tel: +91 141 2294261  
jaipurhub@ozone-india.com

### Kolkata

4 Govt Place, 4<sup>th</sup> floor,  
Room No:- 4H  
Delta House, Kolkatta - 700001  
Mob: +91 9831176481

### Pune

#105, 1<sup>st</sup> Floor, Suyog Center  
Market Yard, Gultekdi,  
Pune - 411037  
Mob: +91 7678117567

### Mumbai

The Avenue, 607,  
Near Waterstones Hotel,  
Int. Airport Road,  
Marol, Andheri (E),  
Mumbai - 400059  
Tel : +91 22 28306453  
Mob: +91 7045775977

### Surat

201, Luxuria Business Hub,  
Nr.V.R.Mall, Surat-Dumas Road,  
New Magdalla Road,  
Surat - 395007  
Mob: +91 9724009921

### Visakhapatnam

Door No 48-3-39, Sarayu Residency  
Srinagar, Opp. Day and Night  
Hospital, Visakhapatnam  
A.P. 530016  
Mob: +91 9515156438

\*Also Operation Office



Visit Website

Specifications are subject to change without any prior notice



Corporate Office: H-40, Bali Nagar, New Delhi - 110015, INDIA

www.ozone.in | Customer Care: +91 9310012300 | customercare@ozone.in