



KITCHEN &  
FURNITURE FITTINGS

INTRODUCING  
ELECTRONIC GLASS  
**SHELF ELEVATOR**  
DISCOVER MORE SPACE IN STYLE



LIFT STORAGE  
SYSTEM



UP TO  
**20KG**  
LOAD  
CAPACITY



MODERN  
DESIGN



SPACE  
OPTIMIZATION



EASY  
INSTALLATION

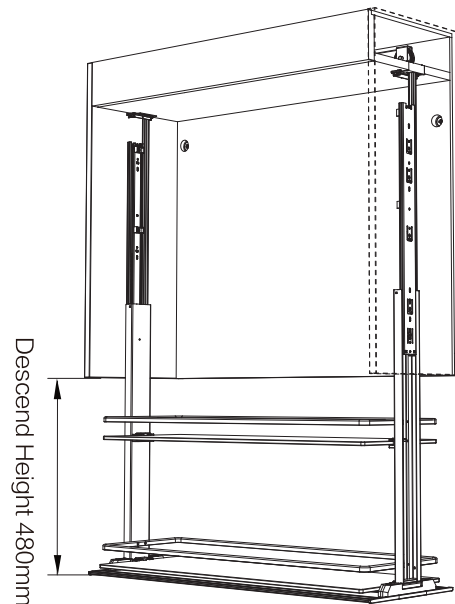
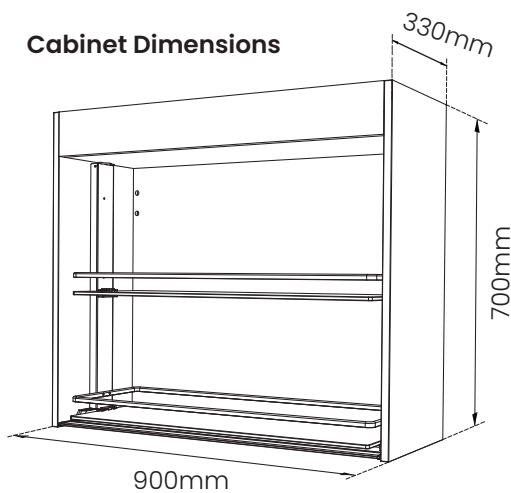
Ready-to-install, completely assembled  
unit for quick on-site installation.

### TECHNICAL DETAILS:

Dimension: <b>900 x 330 x 700 mm (W x D x H)</b>	Shelf Quantity: <b>2</b>	Maximum Load: <b>20Kg</b>
Power Input: <b>100-240V AC, 50/60Hz</b>	Ascend & Descend Time: <b>8-12 secs</b>	Lifting Range: <b>0-480mm</b>

- Supplied as complete solution along with wooden cabinet, glass shutter with hinges & cabinet hanger for quick installation.
- Can easily be operated by gentle push at bottom panel which activate the sensor for in-built LED & up and down motion.
- Equipped with anti collision features preventing mechanism from accidental damages.

### TECHNICAL DRAWINGS:



### ORDERING DETAILS:

PRODUCT CODE	MRP
OE-EGSE H700xW900MM ANTHGREY	₹ 62,500/-



Coffee Brewery Unit



Kitchen Unit

Scan QR Code  
To Explore  
Kitchen & Furniture  
Fittings



+91 9310012300

FOLLOW US ON