



# K-LITE

Demountable  
Partitioning  
Systems

Innovation for **total VISION™**

Ozone continues with the concept of 'Total Vision' to create transparent & elegant commercial spaces. Every fitting in our Architectural Glass Hardware range is designed to meet the concept of 'Total Vision.'

Ozone is a young, dynamic company offering Architectural Hardware & Security Solutions through a wide range of standard and customized products. A solution-centric approach has enabled Ozone to grow from a startup to one of the leading brands in the Architectural Hardware Industry. Globally the Company has made its footprint by supplying goods to almost 40+ countries. With a Global Perspective in mind right from its inception, the Company has ensured each product has the quality and certifications so that they can be offered to all work markets.

**Manufacturing Capability**

Our state-of-the-art Manufacturing Facilities backed by design capability enable us to provide other OEM services in India and Overseas. We can offer Stainless Steel OEM services for manufacturing of Casted, Machine Turning, & Sheet Metal Components in all grades of Stainless Steel and other metals.



**AUTOMATED STATE-OF-THE-ART Manufacturing Facility**

Our manufacturing units are equipped with the latest CNC Machines, Hi-Tech Laser Machines, Water Jet Cutting Machines, and Automatic Polishing and Robotic Welding Machines to deliver consistent finishes. All units have unique operations that work together continuously at maximum efficiency. Each product is checked for quality and perfection, ensuring the highest level of customer satisfaction.



CNC Laser Cutting Machine

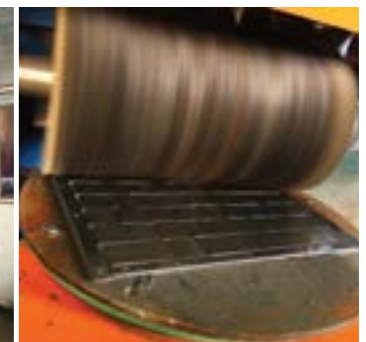


Scan QR Code for Manufacturing Facility

Location:  
Kala Amb  
Himachal Pradesh  
India



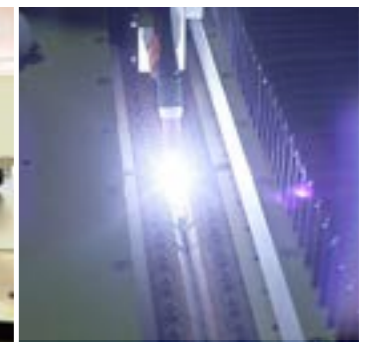
VMC (Vertical Machine Centre)



Polishing Machine



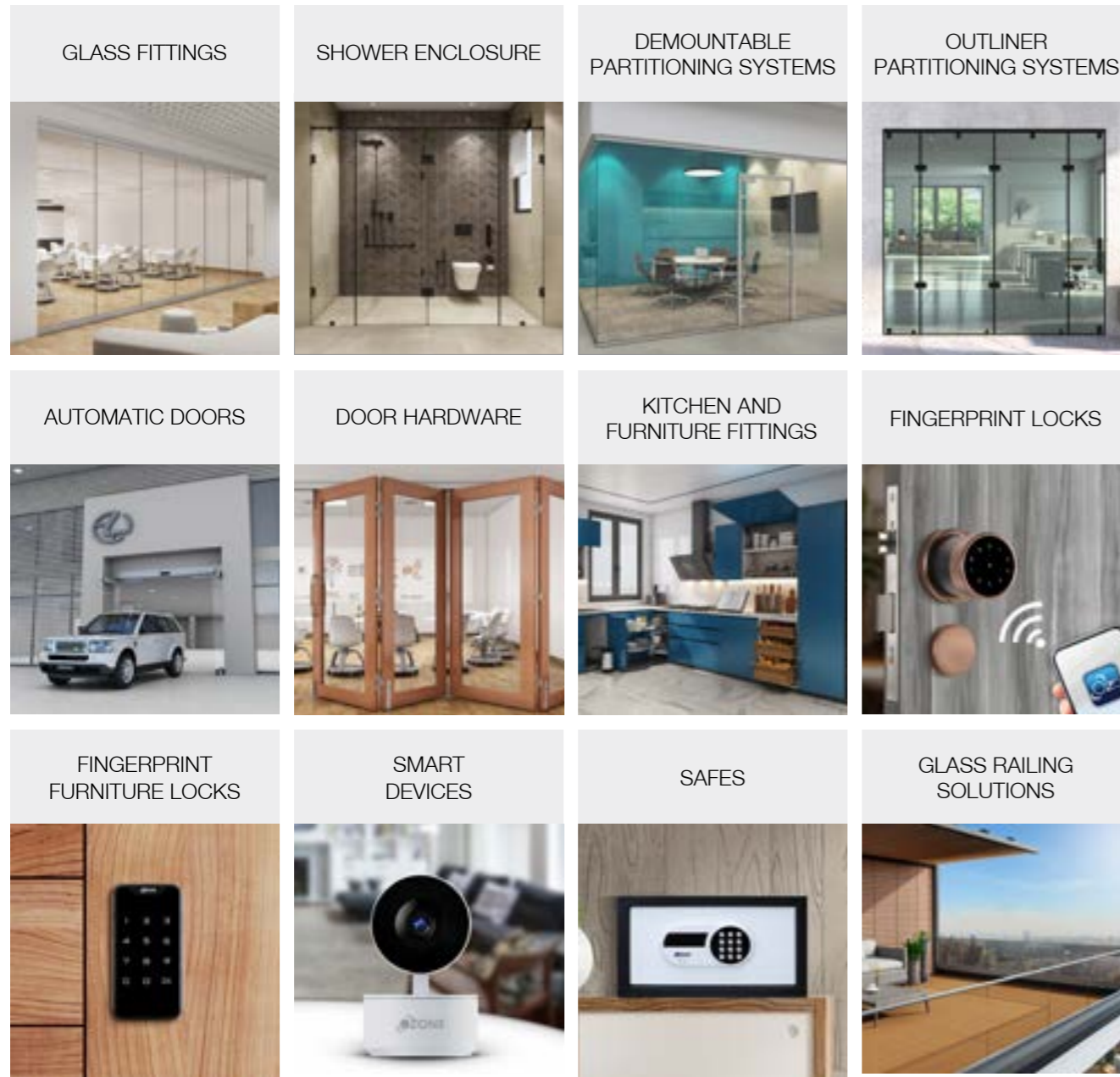
CNC Punching Machine



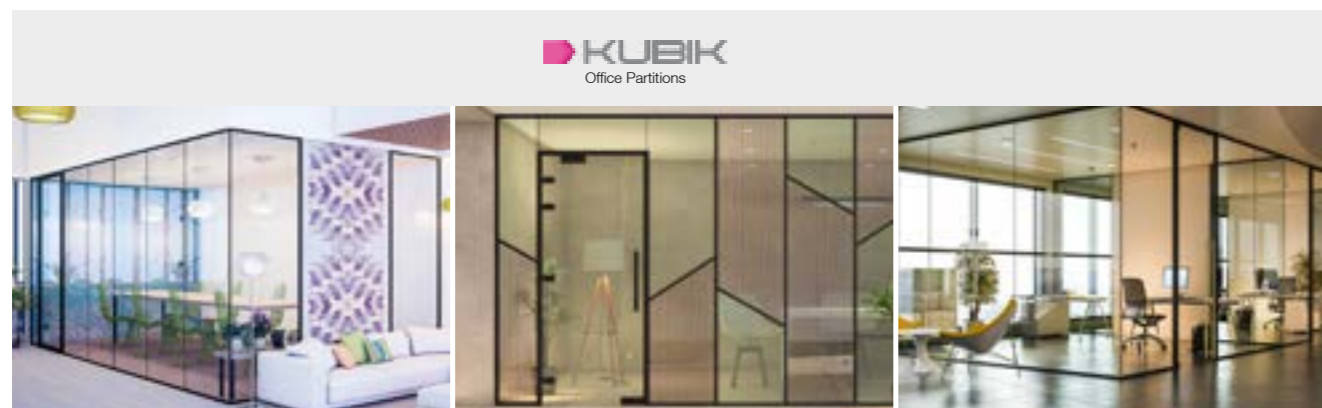
Welding Centre



For over two decades, Ozone has offered Architectural Hardware Solutions with a diversified portfolio of more than 5000 products. These products are tested and certified internationally for quality, functionality, and performance.



Ozone has partnered with **KUBIK** to create India's most extensive range of Complete Partitioning Solutions for Homes, Offices, Banquets, Schools, and similar establishments. The new entity is named KUBOZ Arc Private Limited.



# CONTENT

## K-LITE SERIES

|   |   |           |
|---|---|-----------|
| • <b>K-LITE 25</b><br>25mm x 22mm       | - | <b>03</b> |
| K-LITE 25 Door Configuration            | - | <b>09</b> |
| • <b>K-LITE 45</b><br>45mm x 22mm       | - | <b>21</b> |
| K-LITE 45 Door Configuration            | - | <b>27</b> |
| • <b>K-LITE 100</b><br>100mm x 22mm     | - | <b>39</b> |
| K-LITE 100 Door Configuration           | - | <b>45</b> |
| • <b>K-LITE EF 75 SG</b><br>75mm x 30mm | - | <b>57</b> |
| • <b>K-LITE EF 75 DG</b><br>75mm x 30mm | - | <b>61</b> |
| • <b>K-LITE EF 75 WD</b><br>75mm x 30mm | - | <b>65</b> |
| K-LITE EF 75 Door Configuration         | - | <b>68</b> |
| • <b>SD 60</b>                          | - | <b>85</b> |
| • <b>SD 75</b>                          | - | <b>87</b> |
| • <b>SLIDING</b>                        | - | <b>89</b> |
| • <b>GLASS DOOR</b>                     | - | <b>91</b> |
| • <b>ACCESS CONTROL</b>                 | - | <b>92</b> |
| • <b>HARDWARE</b>                       | - | <b>94</b> |



## How can we solve?

Acoustics: Absorb, Block or Cover

There are three methods of dealing with sound, commonly referred to as the ABC's. Sound can be Absorbed, it can be Blocked or redirected and it can be Covered. The method chosen depends on the final goal of the project.

Sound should be absorbed when the goal is to keep it within the room from reverberating or echoing. If a room has hard surfaces that reflect sound, it will take a long time for the sound level to diminish to a point that is inaudible. This is most noticeable in an empty room with hard walls, floors and ceilings. You can hear the sounds bouncing around the room. Installing sound absorbing materials such as carpet, acoustic ceiling tiles or fabric covered panels, will reduce the reverberation by absorbing the sound.

Noise Reduction Coefficient, which is defined above, is used for rating a material's ability to absorb sound.

If the goal is to keep the sound within a space, for privacy or other reasons, the sound should be blocked. This can be combined with absorption so that the reverberation in the space is reduced. Blocking sound is generally accomplished by reducing short circuits between two spaces. Common air space is the FIRST path that sound uses and hence this needs to be explored first. If you have a 5% air gap in any kind of a noise barrier, 90% of sound leaks through that air space. Some common features include HVAC ducts or grilles, back-to-back outlets, pipes that pass through a space, partitions that stop above the ceiling but do not extend to the structural deck above. Adding mass to the walls will help block the sound. For instance, a concrete wall blocks sound better than a stud wall. Additional layers of gypsum wall board and insulation in the wall cavity will also help block the sound.

Sound can also be covered to help maintain speech privacy. This is most noticeable in an office environment when the forced air system is turned off. The idea is to provide just a bit of background noise to make nearby conversations unintelligible; the conversation is still there, but the quiet hum of the noise (soft music) masks it.

## Acoustic Partition Specification

### Why is it required?

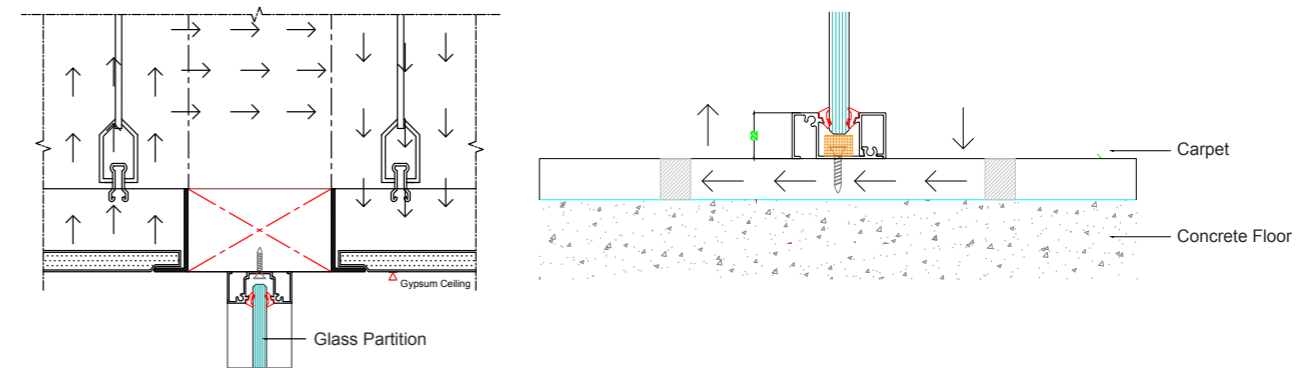
An office is the centre of communication, thinking & collaboration. Any unwanted noise within an office is a major distraction and is a reason for employees not being able to achieve optimum productivity. Soundproofing is a necessity for offices, because apart from the noise within office interiors, there is a huge problem of unwanted noise from the exteriors such as traffic, construction, etc. which have the same unpleasant effect. The soundproof offices help in noise cancellation of this unwanted noise which intrudes the 'Thinking Space' of the employees.

Similarly, besides noise reduction, at times it is required to prevent certain discussions from being heard outside a cabin or conference room. Our state-of-the-art Acoustic Office Demountable Glass Partitions makes sure that peace and tranquillity within the office is maintained, and that important discussions remain confidential.

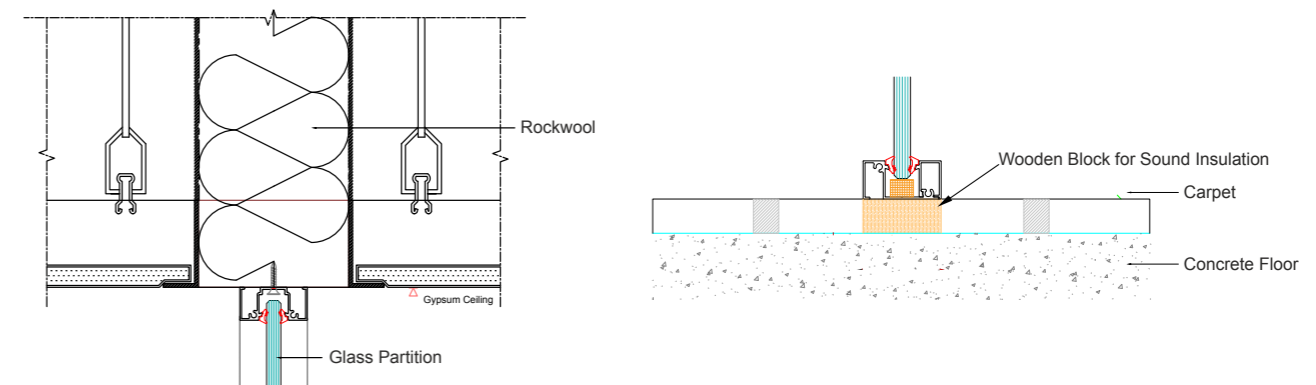
Leakage of sounds come from three common places;

a - Common air space (Ceiling), b - Mass & Density (Walls), c - Hard surface (Floor)

### Poor Acoustic



### Good Acoustic



## K-LITE 25

25mm x 22mm (single glaze)



### CONTEMPORARY WORKING SPACES WITH MINIMALISTIC APPROACH

K-LITE 25 series Demountable Architectural Office Partitions can be equipped with strong acoustic insulation, for more relaxing atmosphere within the large office spaces, with minimal section visibility. Multiple options of solid door or tempered glass can be created, which can be installed along with the selection of door frames.

## K-LITE 25

25mm x 22mm (single glaze)



## K-LITE 25

25mm x 22mm (single glaze)

### Technical Details

#### CONTEMPORARY WORKING SPACE WITH MINIMALISTIC APPROACH

K-LITE 25 Series Demountable Architectural Office Partitions can be equipped with strong acoustic insulation, for more relaxing atmosphere within the large office spaces, with minimal section visibility. Multiple options of solid door or tempered glass can be created, which can be installed along with the selection of door frames.

#### Features

- Standard Section : 25mm x 22mm
- Slim in design, the standard partition suite can be used with any stud thickness
- Suitable for 8mm / 10mm / 12mm toughened glass
- Single door frame sizes to allow for flush door 35mm
- Partition height can be offered up to 3000mm
- Single glazed systems
- Sound insulation capacity of 30 - 32 dB

#### Door options

- Frame less glass, Stile glaze door, Timber or Sliding door system

#### Solid doors

- Timber doors can be of 44mm solid core in choice of veneers\*

#### Door frames

- Aluminium full height up to 3000mm, doors are mounted on either of the hinges, pivots or sliding tracks. A range of Ironmongery can be supplied and incorporated with K-LITE 25 series

#### Size limits

- K-LITE is designed for installation in areas up to nominal vertical panel size of 3000mm x 1200mm

#### Finish

- All exposed aluminium sections are Silver Anodized aluminium finish with 6063 T6 Grade

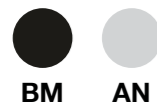
#### Assembly Characteristics

Glazed panels are hung onto a site installed framework of recessed head, side walls and base channels, studs and transoms.

Base tracks have a snap in profile for better installation of glass into section using beads made of silicone gel material and choice of junctions available. Assembly jig supplied ensures the speed accuracy of the installation and correct alignments of panel.

All panels can be removed independently of each other allowing replacement or variation at any time after initial installation.

Available in two colors

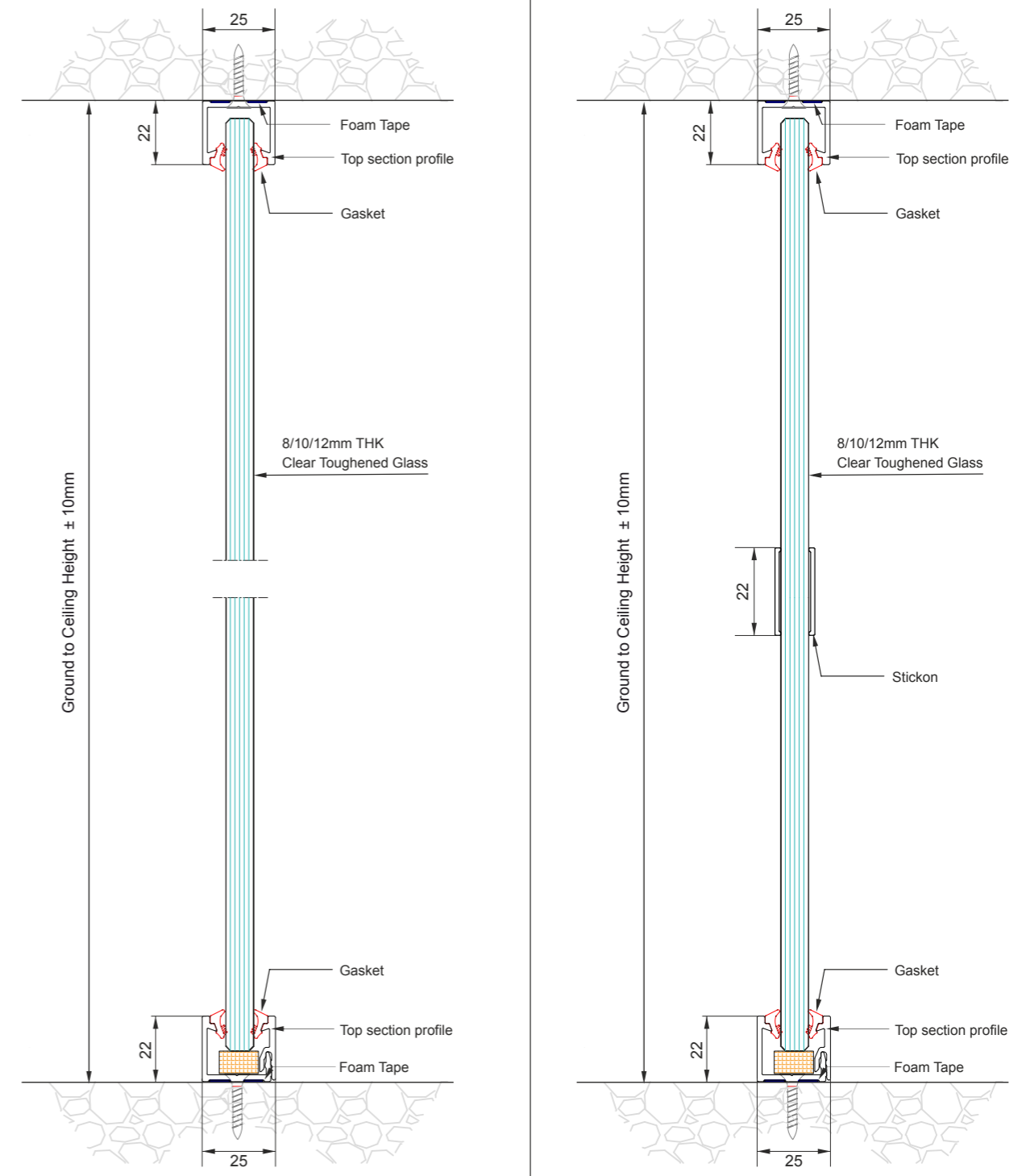


\* Kindly consult Authorised K-LITE person before placing order or confirmation

## K-LITE 25

25mm x 22mm (single glaze)

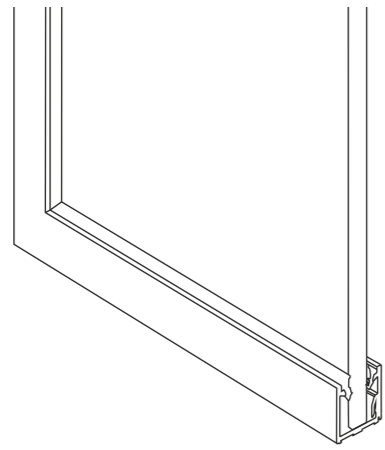
### Technical Details



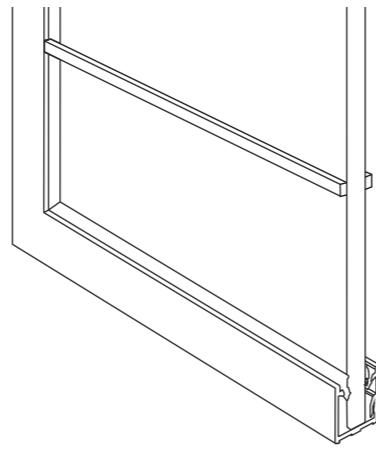
## K-LITE 25

25mm x 22mm (single glaze)

### SOPHISTICATED ARCHITECTURAL DESIGN OPTIONS



Single Glazed Partition - 25mm x 22mm



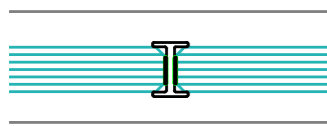
Single Glazed Partition with stickon - 25mm x 22mm

### THESE ARE THE OPTIONS FOR JOINING GLASS AT I, L & T JUNCTIONS

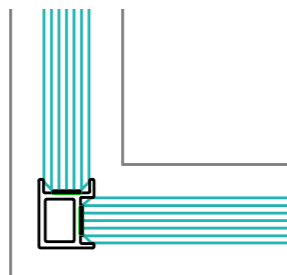
Suitable for 8mm / 10mm / 12mm toughened glass.

The profiles feature a double-sided adhesive tape that guarantee a perfect structural union and sound insulation.

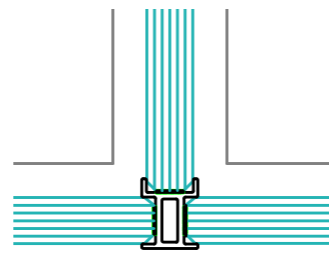
#### I JOINT



#### L JOINT



#### T JOINT



## K-LITE 25

25mm x 22mm (single glaze)





# K-LITE 25

25mm x 22mm (single glaze)

## Door Configuration



K-LITE 25 Glazing  
with I Joint and  
K-LITE 45 Door  
Frame.

Door :- Stile 60  
on Hinges with  
Mortise lock  
and handle

K-LITE 25 Glazing  
with Stickon and  
K-LITE 45 Door  
Frame.

Door :- Stile 60  
on Hinges with  
Stickon and  
Mortise lock  
and handle



K-LITE 25 Glazing  
with I Joint and  
K-LITE 45 Door  
Frame.

Door :- Glass Door  
with side hinges, D  
handle, bottom lock  
and Door Closer.

K-LITE 25 Glazing  
with I Joint and  
K-LITE 45 Door  
Frame.

Door :- Glass Door  
with Top-bottom  
Pivot, D handle and  
bottom lock



K-LITE 25 Glazing  
with I Joint and  
K-LITE 45 Door  
Frame.

Door :- Glass Door  
with side hinges, H  
handle, bottom lock  
and Door Closer.



K-LITE 25 Glazing  
with I Joint and  
K-LITE 45 Door  
Frame.

Door :- Glass Door  
with Top-bottom  
Pivot, Double D  
handle and bottom  
lock

K-LITE 25 Glazing  
with I Joint and  
K-LITE 45 Door  
Frame.

Door :- Glass Door  
with side hinges,  
Studio Lock and  
Door Closer.



K-LITE 25 Glazing  
with I Joint and  
K-LITE 45 Door  
Frame.

Door :- Glass Door  
with Top-bottom  
Pivot, H handle  
and bottom lock

# K-LITE 25

25mm x 22mm (single glaze)

## Door Configuration



## K-LITE 25

25mm x 22mm (single glaze)

### Door Configuration



K-LITE 25 Glazing  
with Stickon and  
Ultra45 Door Frame.

Door :- Wooden  
Door with hinges,  
H handle and Door  
Closer.



K-LITE 25 Glazing  
with I Joint and  
Ultra45 Door Frame.

Door :- Wooden  
Door with hinges,  
H handle and Door  
Closer.



K-LITE 25 Glazing  
with I Joint and  
Ultra45 Door Frame.

Door :- Glass Door  
with Top-bottom  
Pivot and Studio  
lock



## K-LITE 25

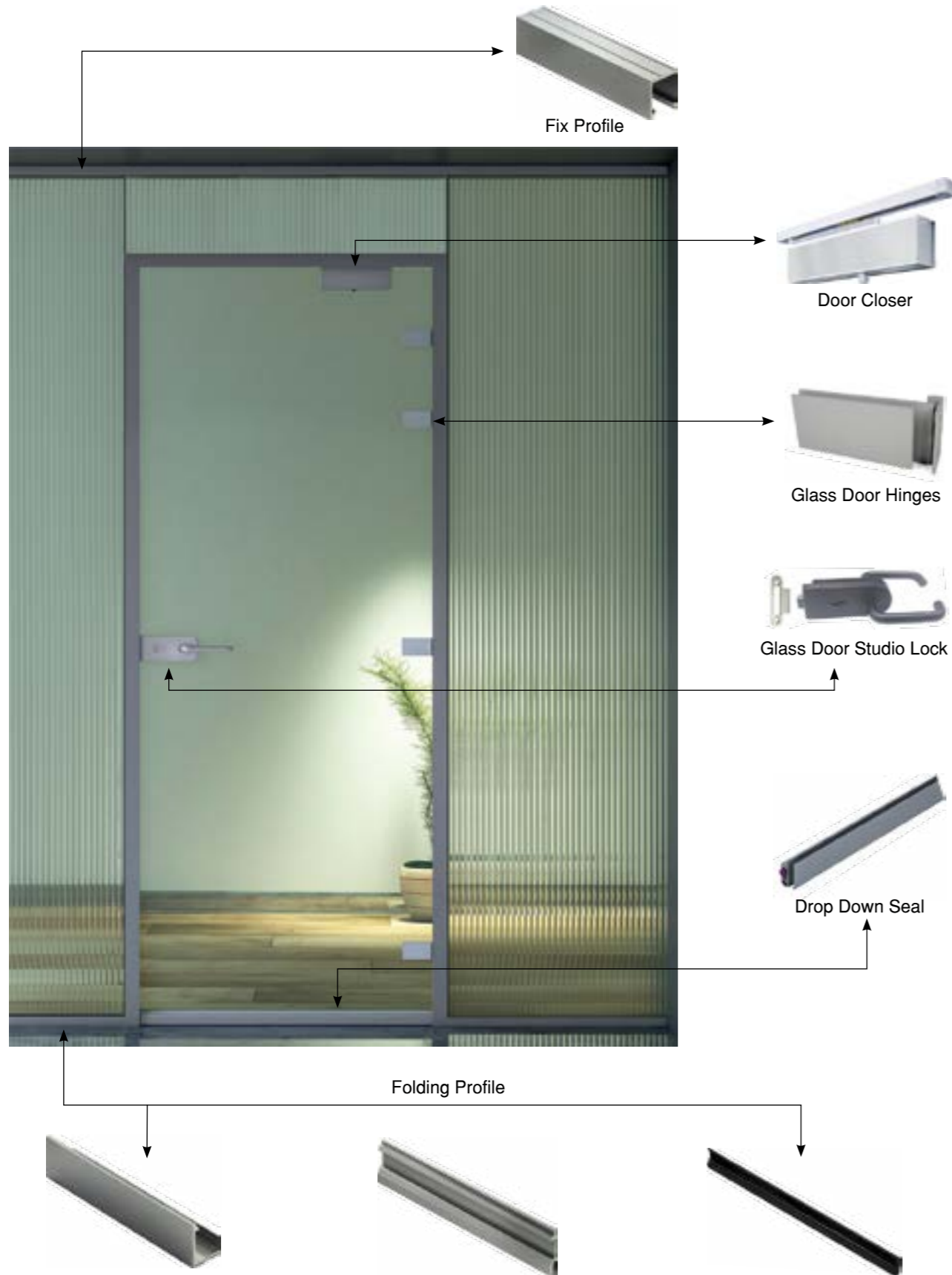
25mm x 22mm (single glaze)



# K-LITE 25

25mm x 22mm (single glaze)

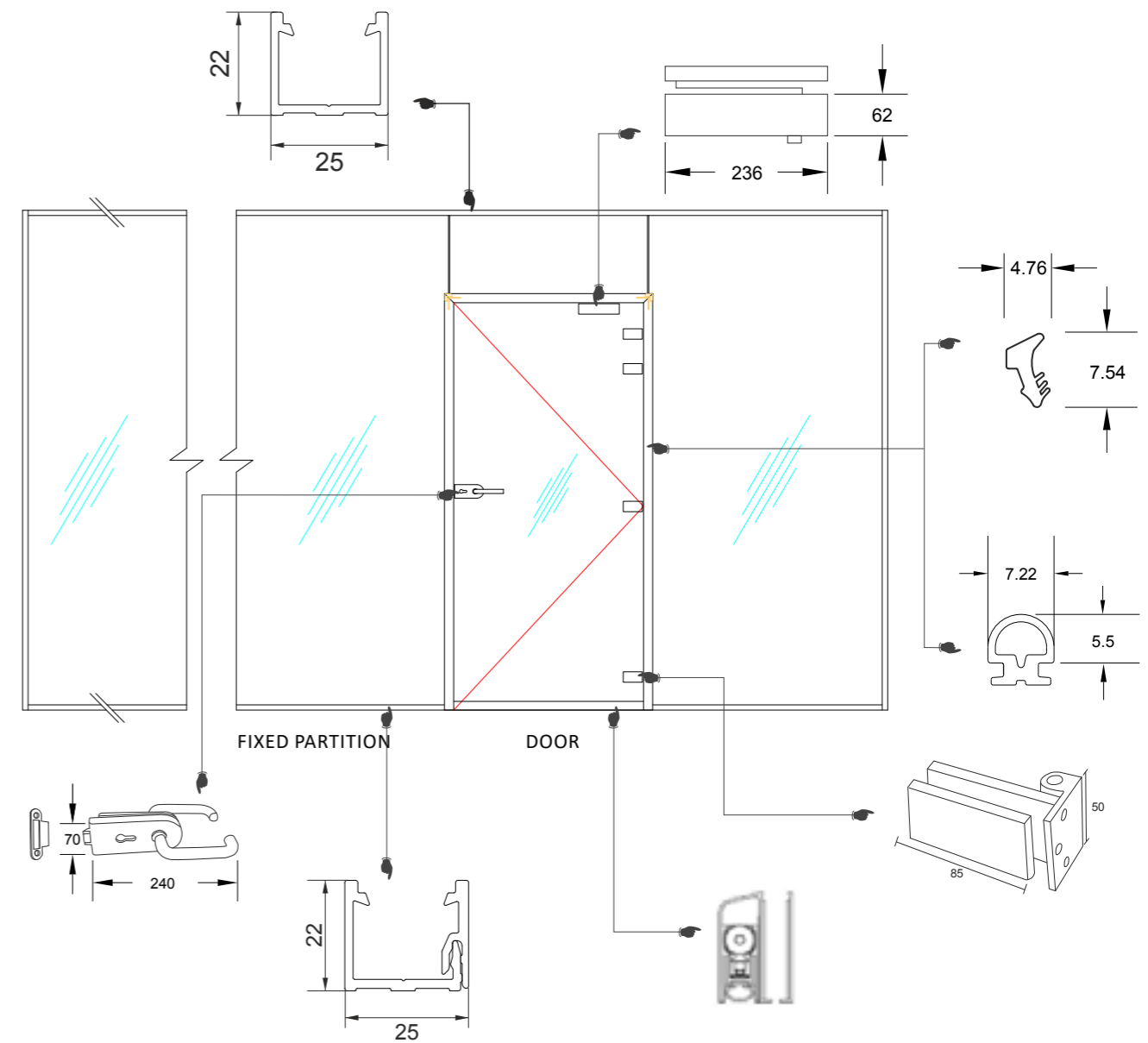
## Door Configuration



# K-LITE 25

25mm x 22mm (single glaze)

## Typical Layout



## K-LITE 25

25mm x 22mm

### K-LITE 25 (25mmx22mm)

| IMAGES  | CODE   | DESCRIPTION                                   | UNIT | SIZE                                     | COLOUR   |
|---|--|---|------|--|--|
|    | OZKL-25-001 3M AN<br>OZKL-25-001 3M BM   | K-LITE 25mm x 22mm<br>Fix Profile             | SET  | 3 Mtr.                                   | ● Silver Anodized<br>● Black Matt                                      |
|    | OZKL-25-002 3M AN<br>OZKL-25-002 3M BM   | K-LITE 25mm x 22mm<br>Folding Profile         | Pcs. | 3 Mtr.                                   | ● Silver Anodized<br>● Black Matt                                      |
|    | OZKLST-001 3M AN<br>OZKLST-001 3M BM   | Stickon Profile                               | Pcs. | 3 Mtr.                                   | ● Silver Anodized<br>● Black Matt                                      |
|   | OZKL-45-001 2.5M AN<br>OZKL-45-001 2.5M BM<br>OZKL-45-001 3M AN<br>OZKL-45-001 3M BM     | K-LITE 45mm x 22mm<br>Fix Profile             | Pcs. | 2.5 Mtr.<br>2.5 Mtr.<br>3 Mtr.<br>3 Mtr. | ● Silver Anodized<br>● Black Matt<br>● Silver Anodized<br>● Black Matt |
|  | OZKL-45-003 3M AN<br>OZKL-45-003 3M BM   | Flush Cap for Floor<br>Machine Use            | Pcs. | 3 Mtr.                                   | ● Silver Anodized<br>● Black Matt                                      |
|  | OZKL-PT-001 2.5M AN<br>OZKL-PT-001 2.5M BM<br>OZKL-PT-001 3M AN<br>OZKL-PT-001 3M BM     | Door Jamb for<br>SD 60 and 35mm<br>Solid Door | Pcs. | 2.5 Mtr.<br>2.5 Mtr.<br>3 Mtr.<br>3 Mtr. | ● Silver Anodized<br>● Black Matt<br>● Silver Anodized<br>● Black Matt |
|  | OZKL-D60-101 2.5M AN<br>OZKL-D60-101 2.5M BM<br>OZKL-D60-101 3M AN<br>OZKL-D60-101 3M BM | SD 60<br>Vertical Profile<br>60 x 35          | Pcs. | 2.5 Mtr.<br>2.5 Mtr.<br>3 Mtr.<br>3 Mtr. | ● Silver Anodized<br>● Black Matt<br>● Silver Anodized<br>● Black Matt |
|  | OZKL-D60-102 2.1M AN<br>OZKL-D60-102 2.1M BM   | SD 60<br>Top-Bottom Profile<br>60 x 35        | Pcs. | 3 Mtr.                                   | ● Silver Anodized<br>● Black Matt                                      |

● Gold Matt ● Champagne Matt ● Rose Gold Matt  
\*Finishes Available on Request

## K-LITE 25

25mm x 22mm

### K-LITE 25 (25mmx22mm)

| IMAGES  | CODE                               | DESCRIPTION               | UNIT | SIZE   | COLOUR                            |
|---|------------------------------------|---------------------------|------|--------|-----------------------------------|
|    | OZKL-I-08 3M AN<br>OZKL-I-08 3M BM | I Joint for<br>8mm glass  | Pcs. | 3 Mtr. | ● Silver Anodized<br>● Black Matt |
|    | OZKL-I-10 3M AN<br>OZKL-I-10 3M BM | I Joint for<br>10mm glass | Pcs. | 3 Mtr. | ● Silver Anodized<br>● Black Matt |
|    | OZKL-I-12 3M AN<br>OZKL-I-12 3M BM | I Joint for<br>12mm glass | Pcs. | 3 Mtr. | ● Silver Anodized<br>● Black Matt |
|   | OZKL-L-08 3M AN<br>OZKL-L-08 3M BM | L Joint for<br>8mm glass  | Pcs. | 3 Mtr. | ● Silver Anodized<br>● Black Matt |
|  | OZKL-L-10 3M AN<br>OZKL-L-10 3M BM | L Joint for<br>10mm glass | Pcs. | 3 Mtr. | ● Silver Anodized<br>● Black Matt |
|  | OZKL-L-12 3M AN<br>OZKL-L-12 3M BM | L Joint for<br>12mm glass | Pcs. | 3 Mtr. | ● Silver Anodized<br>● Black Matt |
|  | OZKL-T-08 3M AN<br>OZKL-T-08 3M BM | T Joint for<br>8mm glass  | Pcs. | 3 Mtr. | ● Silver Anodized<br>● Black Matt |
|  | OZKL-T-10 3M AN<br>OZKL-T-10 3M BM | T Joint for<br>10mm glass | Pcs. | 3 Mtr. | ● Silver Anodized<br>● Black Matt |

● Gold Matt ● Champagne Matt ● Rose Gold Matt  
\*Finishes Available on Request

## K-LITE 25

25mm x 22mm

### K-LITE 25 (25mmx22mm)


| IMAGES  | CODE   | DESCRIPTION                             | UNIT | SIZE   | COLOUR                            |
|---|--|---|------|--------|-----------------------------------|
|    | OZKL-T-12 3M AN<br>OZKL-T-12 3M BM             | T Joint for<br>12mm glass               | Pcs. | 3 Mtr. | ● Silver Anodized<br>● Black Matt |
|    | OZKL-GASKET-001 GR<br>OZKL-GASKET-001 BK       | Used for Door<br>Frame Profile          | RMTR | 1 Mtr. | ● Grey<br>● Black                 |
|    | OZKL-GASKET-002-08 GR<br>OZKL-GASKET-002-08 BK | Gasket for<br>8mm glass                 | RMTR | 1 Mtr. | ● Grey<br>● Black                 |
|   | OZKL-GASKET-004-10 GR<br>OZKL-GASKET-004-10 BK | Gasket for<br>10mm glass                | RMTR | 1 Mtr. | ● Grey<br>● Black                 |
|  | OZKL-GASKET-003-12 GR<br>OZKL-GASKET-003-12 BK | Gasket for<br>12mm glass                | RMTR | 1 Mtr. | ● Grey<br>● Black                 |
|  | OZKL-GASKET-005 GR<br>OZKL-GASKET-005 BK       | Gasket for<br>Door Jamb                 | RMTR | 1 Mtr. | ● Grey<br>● Black                 |
|  | OZKL-ACC-001                                   | Corner Connector<br>for Door Jamb       | Pcs. | 1      |                                   |
|  | OZKL-ACC-002                                   | Corner Connector<br>for Glazing Profile | Pcs. | 1      |                                   |

● Gold Matt ● Champagne Matt ● Rose Gold Matt  
\*Finishes Available on Request

## K-LITE 25

25mm x 22mm

### K-LITE 25 (25mmx22mm)

| IMAGES  | CODE                  | DESCRIPTION   | UNIT | SIZE | COLOUR |
|---|-----------------------|---|------|------|--------|
|    | OZKL-ACC-003          | Threaded Rod for Door<br>1mtr                                     | SET  |      |        |
|    | OZKL-ACC-004          | Threaded Rod for Door<br>2mtr                                     | SET  |      |        |
|    | OZKLFT 10MMx1MMx10M   | Acoustical Single Side<br>Foam Tape                               | Roll |      |        |
|   | OZKLCT 6MMx1MMx10M    | Double Sided Acrylic Clear<br>Tape used for I, L, T Joint         | Roll |      |        |
|  | OZKLCT 18MMx0.8MMx10M | Double Sided Acrylic Clear<br>Tape used for BrooOZKLyn<br>Profile | Roll |      |        |
|  | OZKL-25-EC BM         | End Cap   | Pcs. | 1    |        |

● Gold Matt ● Champagne Matt ● Rose Gold Matt  
\*Finishes Available on Request

## K-LITE 45

45mm x 22mm (single glaze)

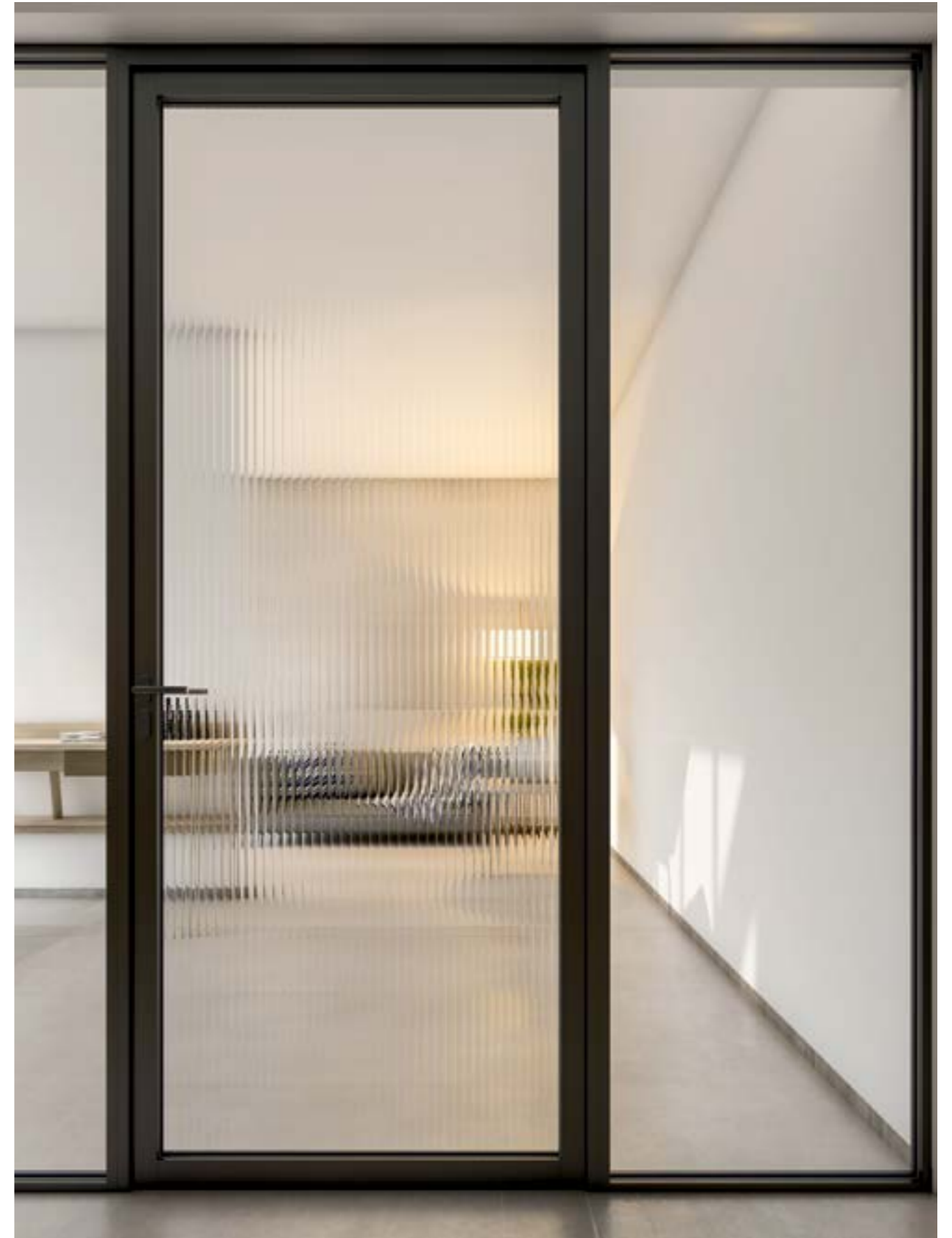


### RELAXING ATMOSPHERE OFFICE SPACE

The K-LITE 45 Demountable Architectural Office Partition is a superior lightweight profile system. It is based on a 45mm x 22mm glazing seal and bead with a selection of door frame options. K-LITE 45 frames provide elegant and cost effective design solutions.

## K-LITE 45

45mm x 22mm (single glaze)



## K-LITE 45

45mm x 22mm (single glaze)

### Technical Details

#### CONTEMPORARY WORKING SPACE WITH MINIMALISTIC APPROACH

The K-LITE 45 Demountable Architectural Office Partition is a superior lightweight profile system. It is based on a 45mm x 22mm glazing seal and bead with a selection of door frame option. K-LITE 45 frames provide an elegant and cost effective design solutions.

#### Features

- Standard section : 45mm x 22mm
- Slim in design, the standard partition suite can be used with any stud thickness
- Suitable for 8mm / 10mm / 12mm toughened glass
- Single door frame sizes to allow for flush door 35mm
- Partition height can be offered up to 3000mm
- Single glazed systems
- Sound insulation capacity of 32 - 34 dB

#### Door options

- Frame less glass, Stile glaze door, Timber or Sliding door system

#### Soild doors

- Timber doors can be of 35mm or 45mm solid core in choice of veneers\*

#### Door frames

- Aluminium full height up to 3000mm, doors are mounted on either of the hinges, pivots or sliding tracks. A range of Ironmongery can be supplied and incorporated with K-LITE 25 series.

#### Size limits

- K-LITE is designed for installation in areas up to nominal vertical panel size of 3000mm x 1200mm

#### Finish

- All exposed aluminium sections are Silver Anodized aluminium finish with 6063 T6 Grade

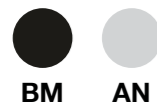
#### Assembly Characteristics

Glazed panels are hung onto a site installed framework of recessed head, side walls and base channels, studs and transoms.

Base tracks have a snap in profile for better installation of glass into section using beads made of silicone gel material and choice of junctions available. Assembly jig supplied ensures the speed accuracy of the installation and correct alignments of panel.

All panels can be removed independently of each other allowing replacement or variation at any time after initial installation.

Available in two colors

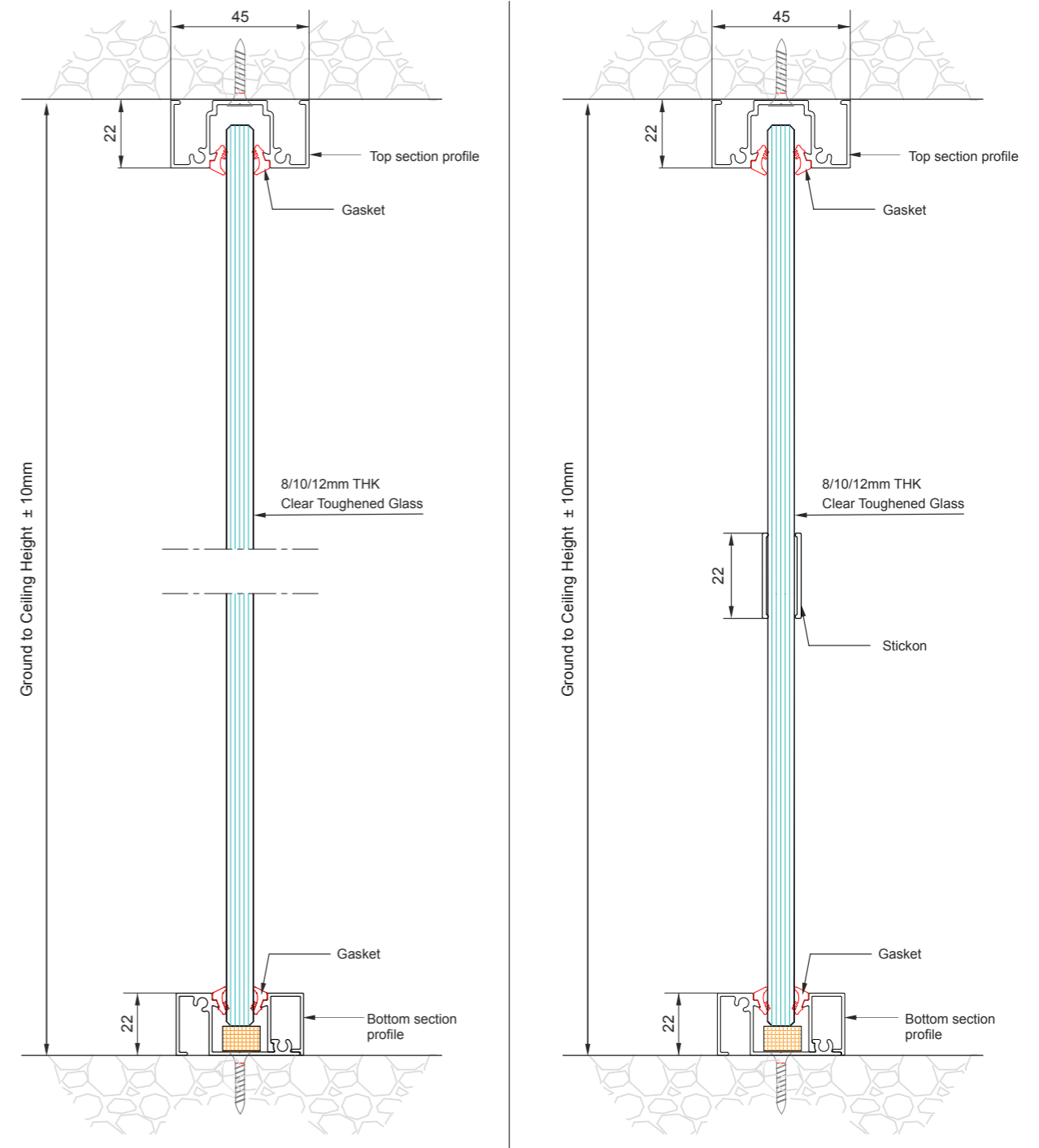


\* Kindly consult Authorised K-LITE person before placing order or confirmation

## K-LITE 45

45mm x 22mm (single glaze)

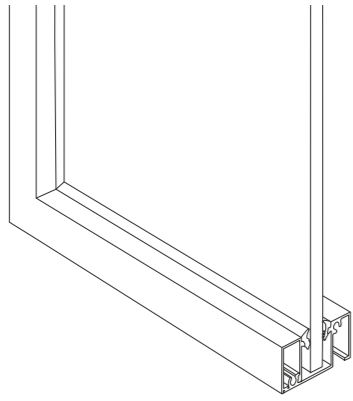
### Technical Details



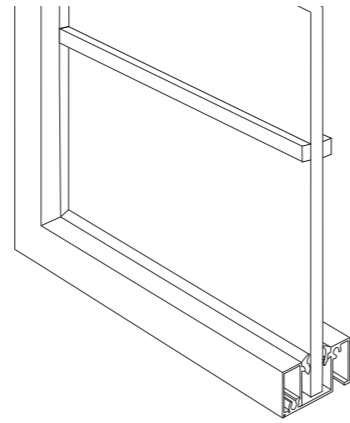
## K-LITE 45

45mm x 22mm (single glaze)

### SOPHISTICATED ARCHITECTURAL DESIGN OPTIONS



Single Glazed Partition - 45mm x 22mm



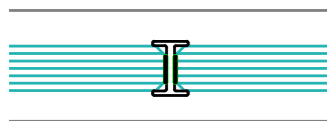
Single Glazed Partition with stickon - 45mm x 22mm

### THESE ARE THE OPTIONS FOR JOINING GLASS AT I, L & T JUNCTIONS

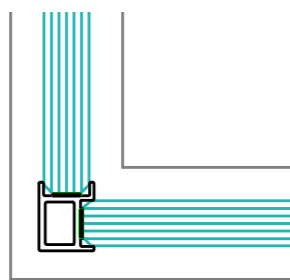
Suitable for 8mm / 10mm / 12mm toughened glass.

The profiles feature a double-sided adhesive tape that guarantee a perfect structural union and sound insulation.

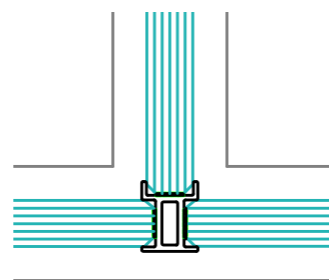
#### I JOINT



#### L JOINT



#### T JOINT



## K-LITE 45

45mm x 22mm (single glaze)





## K-LITE 45

45mm x 22mm (single glaze)

### Door Configuration



K-LITE 45 Glazing  
with I Joint and  
K-LITE 45 Door  
Frame.

Door :- Glass Door  
with Top-bottom  
Pivot, D handle and  
bottom lock



K-LITE 45 Glazing  
with I Joint and  
K-LITE 45 Door  
Frame.

Door :- Glass Door  
with side hinges, H  
handle, bottom lock  
and Door Closer.



K-LITE 45 Glazing  
with Stickon and  
K-LITE 45 Door  
Frame.

Door :- Stile 60  
on Hinges with  
Stickon and Mortise  
lock and handle



K-LITE 45 Glazing  
with I joint and  
K-LITE 45 Door  
Frame.

Door :- Stile 60 on  
Hinges with Mortise  
lock and handle

## K-LITE 45

45mm x 22mm (single glaze)

### Door Configuration



K-LITE 45 Glazing  
with I Joint and  
K-LITE 45 Door  
Frame.

Door :- Wooden  
Door with hinges,  
H handle and Door  
Closer.



K-LITE 45 Glazing  
with Stickon and  
K-LITE 45 Door  
Frame.

Door :- Wooden  
Door with hinges,  
H handle and Door  
Closer.



K-LITE 45 Glazing  
with I Joint and  
K-LITE 45 Door  
Frame.

Door :- Glass Door  
with side hinges, D  
handle, bottom lock  
and Door Closer.



K-LITE 45 Glazing  
with I Joint and  
K-LITE 45 Door  
Frame.

Door :- Glass Door  
with side hinges,  
Door closer and  
Studio Lock.

## K-LITE 45

45mm x 22mm (single glaze)

### Door Configuration



K-LITE 45 Glazing  
with Stickon and  
K-LITE 45 Door  
Frame.

Door :- Stile 75 with  
Stickon and Mortise  
lock and handle

K-LITE 45 Glazing  
with I joint and  
K-LITE 45 door  
frame.

Door :- Stile 75  
with Mortise lock  
and handle



## K-LITE 45

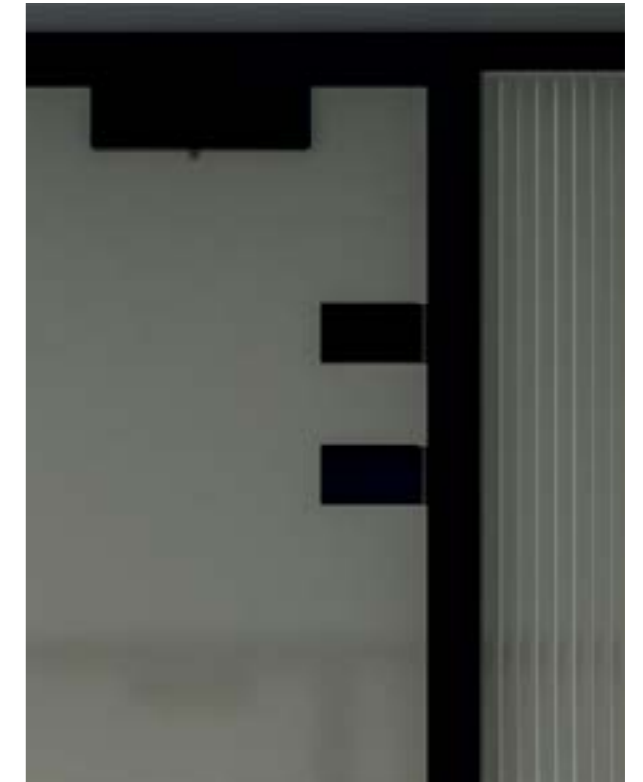
45mm x 22mm (single glaze)

### Door Configuration



K-LITE 45 Glazing  
with I Joint and  
K-LITE 45 Door  
Frame.

Door :- Glass Door  
with Top-bottom  
Pivot, H handle and  
Bottom lock



K-LITE 45 Glazing  
with I joint and  
K-LITE 45 door  
frame.

Door :- Glass Door  
with side hinges,  
Double D handle,  
bottom lock and  
Door Closer.

K-LITE 45 Glazing  
with I Joint and  
K-LITE 45 Door  
Frame.

Door :- Glass Door  
with Top-bottom  
Pivot and Studio  
lock



# K-LITE 45

45mm x 22mm (single glaze)

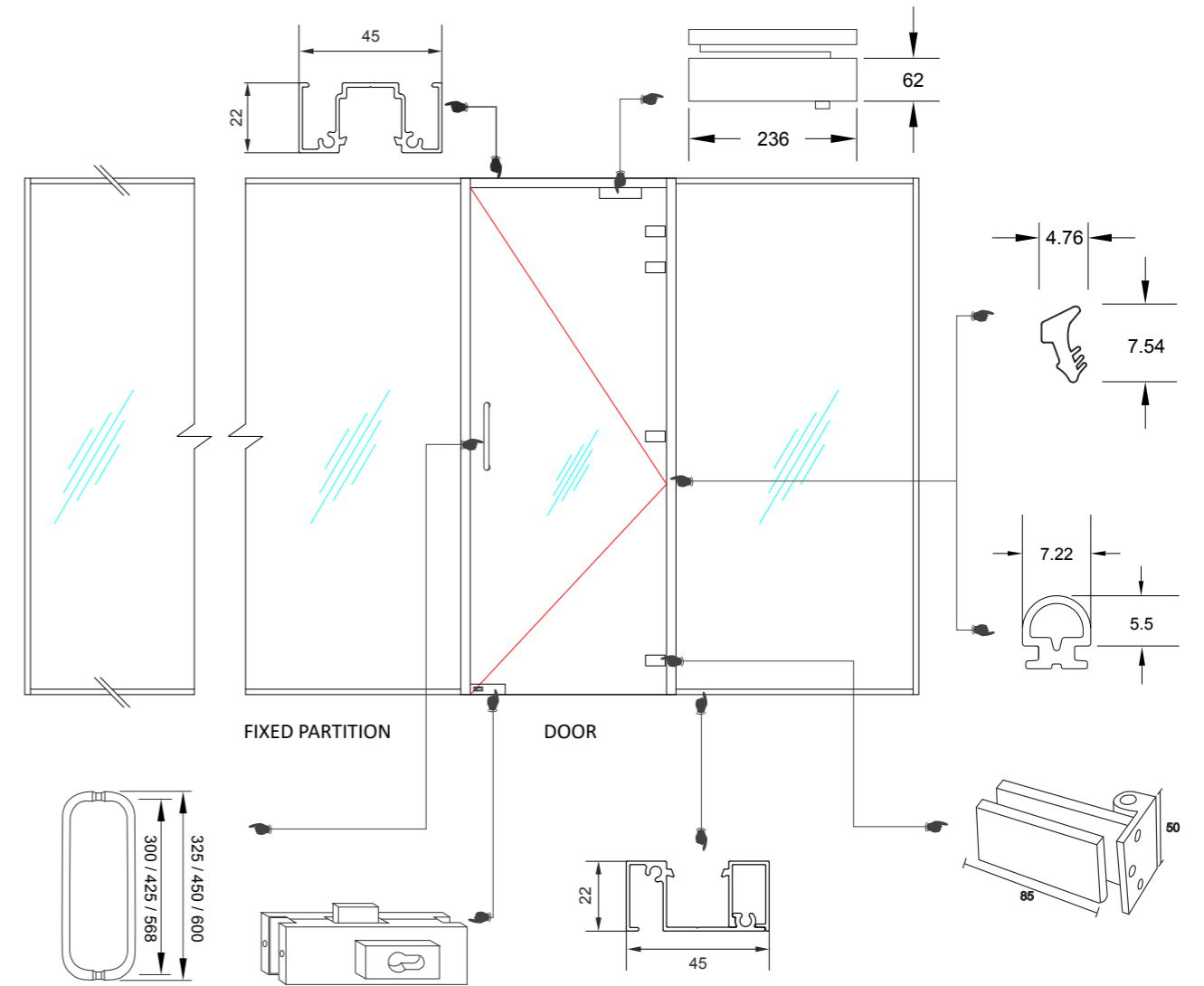
## Door Configuration



# K-LITE 45

45mm x 22mm (single glaze)

## Typical Layout



## K-LITE 45

45mm x 22mm

### K-LITE 45 (45mmx22mm)

| IMAGES  | CODE   | DESCRIPTION                                | UNIT | SIZE                                     | COLOUR   |
|---|--|--|------|--|--|
|    | OZKL-45-001 2.5M AN<br>OZKL-45-001 2.5M BM<br>OZKL-45-001 3M AN<br>OZKL-45-001 3M BM     | K-LITE 45mm x 22mm<br>Fix Profile          | SET  | 2.5 Mtr.<br>2.5 Mtr.<br>3 Mtr.<br>3 Mtr. | ● Silver Anodized<br>● Black Matt<br>● Silver Anodized<br>● Black Matt |
|    | OZKL-45-002 3M AN<br>OZKL-45-002 3M BM   | K-LITE 45mm x 22mm<br>Folding Profile      | Pcs. | 3 Mtr.                                   | ● Silver Anodized<br>● Black Matt                                      |
|    | OZKL-45-003 3M AN<br>OZKL-45-003 3M BM   | Flush Cap for Floor<br>Machine Use         | Pcs. | 3 Mtr.                                   | ● Silver Anodized<br>● Black Matt                                      |
|    | OZKL-45-004 3M AN<br>OZKL-45-004 3M BM   | Brooklyn 45mm x 25mm<br>Clip Profile       | Pcs. | 2.5 Mtr.<br>2.5 Mtr.<br>3 Mtr.<br>3 Mtr. | ● Silver Anodized<br>● Black Matt<br>● Silver Anodized<br>● Black Matt |
|  | OZKL-45-005 3M AN<br>OZKL-45-005 3M BM   | Brooklyn 45mm x 25mm<br>Base Profile       | Pcs. | 3 Mtr.                                   | ● Silver Anodized<br>● Black Matt                                      |
|  | OZKLST-001 3M AN<br>OZKLST-001 3M BM   | Stickon Profile                            | Pcs. | 3 Mtr.                                   | ● Silver Anodized<br>● Black Matt                                      |
|  | OZKL-PT-001 2.5M AN<br>OZKL-PT-001 2.5M BM<br>OZKL-PT-001 3M AN<br>OZKL-PT-001 3M BM     | Door Jamb for<br>SD 60 and 35mm Solid Door | Pcs. | 2.5 Mtr.<br>2.5 Mtr.<br>3 Mtr.<br>3 Mtr. | ● Silver Anodized<br>● Black Matt<br>● Silver Anodized<br>● Black Matt |
|  | OZKL-PT-002 2.5M AN<br>OZKL-PT-002 2.5M BM<br>OZKL-PT-002 3M AN<br>OZKL-PT-002 3M BM     | Door Jamb for<br>SD 75 and 45mm Solid Door | Pcs. | 2.5 Mtr.<br>2.5 Mtr.<br>3 Mtr.<br>3 Mtr. | ● Silver Anodized<br>● Black Matt<br>● Silver Anodized<br>● Black Matt |
|  | OZKL-D60-101 2.5M AN<br>OZKL-D60-101 2.5M BM<br>OZKL-D60-101 3M AN<br>OZKL-D60-101 3M BM | SD 60<br>Vertical Profile<br>60 x 35       | Pcs. | 2.5 Mtr.<br>2.5 Mtr.<br>3 Mtr.<br>3 Mtr. | ● Silver Anodized<br>● Black Matt<br>● Silver Anodized<br>● Black Matt |
|  | OZKL-D60-102 2.1M AN<br>OZKL-D60-102 2.1M BM   | SD 60<br>Top-Bottom Profile<br>60 x 35     | Pcs. | 2.1 Mtr.                                 | ● Silver Anodized<br>● Black Matt                                      |

● Gold Matt ● Champagne Matt ● Rose Gold Matt  
\*Finishes Available on Request

## K-LITE 45

45mm x 22mm

### K-LITE 45 (45mmx22mm)

| IMAGES  | CODE   | DESCRIPTION                            | UNIT | SIZE                                     | COLOUR   |
|---|--|--|------|--|--|
|    | OZKL-D75-103 2.5M AN<br>OZKL-D75-103 2.5M BM<br>OZKL-D75-103 3M AN<br>OZKL-D75-103 3M BM | SD 75<br>Vertical Profile<br>75 x 45   | Pcs. | 2.5 Mtr.<br>2.5 Mtr.<br>3 Mtr.<br>3 Mtr. | ● Silver Anodized<br>● Black Matt<br>● Silver Anodized<br>● Black Matt |
|    | OZKL-D75-104 2.1M AN<br>OZKL-D75-104 2.1M BM   | SD 75<br>Top-Bottom Profile<br>75 x 45 | Pcs. | 2.1 Mtr.                                 | ● Silver Anodized<br>● Black Matt                                      |
|    | OZKL-I-08 3M AN<br>OZKL-I-08 3M BM   | I Joint for<br>8mm glass               | Pcs. | 3 Mtr.                                   | ● Silver Anodized<br>● Black Matt                                      |
|    | OZKL-I-10 3M AN<br>OZKL-I-10 3M BM   | I Joint for<br>10mm glass              | Pcs. | 3 Mtr.                                   | ● Silver Anodized<br>● Black Matt                                      |
|  | OZKL-I-12 3M AN<br>OZKL-I-12 3M BM   | I Joint for<br>12mm glass              | Pcs. | 3 Mtr.                                   | ● Silver Anodized<br>● Black Matt                                      |
|  | OZKL-L-08 3M AN<br>OZKL-L-08 3M BM   | L Joint for<br>8mm glass               | Pcs. | 3 Mtr.                                   | ● Silver Anodized<br>● Black Matt                                      |
|  | OZKL-L-10 3M AN<br>OZKL-L-10 3M BM   | L Joint for<br>10mm glass              | Pcs. | 3 Mtr.                                   | ● Silver Anodized<br>● Black Matt                                      |
|  | OZKL-L-12 3M AN<br>OZKL-L-12 3M BM   | L Joint for<br>12mm glass              | Pcs. | 3 Mtr.                                   | ● Silver Anodized<br>● Black Matt                                      |

● Gold Matt ● Champagne Matt ● Rose Gold Matt  
\*Finishes Available on Request

## K-LITE 45

45mm x 22mm

### K-LITE 45 (45mmx22mm)

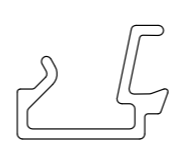

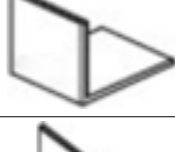








| IMAGES  | CODE   | DESCRIPTION   | UNIT | SIZE     | COLOUR                            |
|---|--|---|------|----------|-----------------------------------|
|    | OZKL-T-08 3M AN<br>OZKL-T-08 3M BM             | T Joint for<br>8mm glass                              | Pcs. | 3 Mtr.   | ● Silver Anodized<br>● Black Matt |
|    | OZKL-T-10 3M AN<br>OZKL-T-10 3M BM             | T Joint for<br>10mm glass                             | Pcs. | 3 Mtr.   | ● Silver Anodized<br>● Black Matt |
|    | OZKL-T-12 3M AN<br>OZKL-T-12 3M BM             | T Joint for<br>12mm glass                             | Pcs. | 3 Mtr.   | ● Silver Anodized<br>● Black Matt |
|   | OZKL-GASKET-001 GR<br>OZKL-GASKET-001 BK       | Used for Door<br>Frame Profile                        | RMTR | 1 Mtr.   | ● Grey<br>● Black                 |
|  | OZKL-GASKET-002-08 GR<br>OZKL-GASKET-002-08 BK | Gasket for<br>8mm glass                               | RMTR | 1 Mtr.   | ● Grey<br>● Black                 |
|  | OZKL-GASKET-004-10 GR<br>OZKL-GASKET-004-10 BK | Gasket for<br>10mm glass                              | RMTR | 1 Mtr.   | ● Grey<br>● Black                 |
|  | OZKL-GASKET-003-12 GR<br>OZKL-GASKET-003-12 BK | Gasket for<br>12mm glass                              | RMTR | 1 Mtr.   | ● Grey<br>● Black                 |
|  | OZKL-GASKET-005 GR<br>OZKL-GASKET-005 BK       | Gasket for<br>Door Jamb                               | RMTR | 1 Mtr.   | ● Grey<br>● Black                 |
|  | OZKL-KOPS013A 3.1M AN<br>OZKL-KOPS013A 3.1M BM | Clip Cover Strip A-for Small<br>Opening-Lengt 3.1 mtr | Pcs. | 3.1 Mtr. | ● Silver Anodized<br>● Black Matt |
|  | OZKL-KOPS051 3.1M AN<br>OZKL-KOPS051 3.1M BM   | Main Portal 45X45                                     | Pcs. | 3.1 Mtr. | ● Silver Anodized<br>● Black Matt |

● Gold Matt ● Champagne Matt ● Rose Gold Matt  
\*Finishes Available on Request

## K-LITE 45

45mm x 22mm

### K-LITE 45 (45mmx22mm)

| IMAGES  | CODE   | DESCRIPTION  | UNIT | SIZE     | COLOUR                            |
|---|--|--|------|----------|-----------------------------------|
|    | OZKL-KOPS051A 3.1M AN<br>OZKL-KOPS051A 3.1M BM | Clip Profile for holding the Glass<br>with Gasket<br>Length - 3.1 mtr. | Pcs. | 3.1 Mtr. | ● Silver Anodized<br>● Black Matt |
|    | OZKL-KOPS003 3.0M AN<br>OZKL-KOPS003 3.0M BM   | Clip Cover Strip A-for Big<br>Opening-Lengt 3.1 mtr                    | Pcs. | 3.1 Mtr. | ● Silver Anodized<br>● Black Matt |
|    | OZKL-ACC-001                                   | Corner Connector<br>for Door Jamb                                      | Pcs. | 1        |                                   |
|   | OZKL-ACC-002                                   | Corner Connector<br>for Glazing Profile                                | Pcs. | 1        |                                   |
|  | OZKL-ACC-003                                   | Threaded Rod for Door<br>1mtr  | SET  |          |                                   |
|  | OZKL-ACC-004                                   | Threaded Rod for Door<br>2mtr  | SET  |          |                                   |
|  | OZKL-ACC-005                                   | Corner Joint for SD 75<br>when using Door Closer                       | Pcs. |          |                                   |
|  | OZKLFT 10MMx1MMx10M                            | Acoustical Single Side<br>Foam Tape                                    | ROLL |          |                                   |
|  | OZKLCT 6MMx1MMx10M                             | Double Sided Acrylic Clear<br>Tape used for I, L, T Joint              | ROLL |          |                                   |
|  | OZKLCT 18MMx0.8MMx10M                          | Double Sided Acrylic Clear<br>Tape used for BrooOZKLyn<br>Profile      | ROLL |          |                                   |
|  | OZKL-45-EC BM                                  | End Cap  | Pcs. | 1        |                                   |

● Gold Matt ● Champagne Matt ● Rose Gold Matt  
\*Finishes Available on Request

## K-LITE 100

100mm x 22mm (single glaze)



### ELEGANT GLASS PARTITION FOR MAXIMUM TRANSPARENCY

The K-LITE 100 Demountable Architectural Office Partition is another superior range of K-LITE product that has a proven track record. It is based on a 100mm x 22mm glazing seal and bead with selection of door frame options.

## K-LITE 100

100mm x 22mm (single glaze)



## K-LITE 100

100mm x 22mm (single glaze)

### Technical Details

#### ELEGANT GLASS PARTITION FOR MAXIMUM TRANSPARENCY

The K-LITE 100 Demountable Architectural Office Partition is another superior range of K-LITE product that has a proven track record. It is based on a 100mm x 22mm glazing seal and bead with selection of door frame options.

#### Features

- Standard section : 100mm x 22mm
- Slim in design, the standard partition suite can be used with any stud thickness
- Suitable for 8mm / 10mm / 12mm toughened glass
- Single door frame sizes to allow for flush door 35mm or 45mm
- Partition height can be offered up to 3000mm
- Single glazed systems
- Sound insulation capacity of 32 - 34 dB

#### Door options

- Frame less glass, Stile glaze door, Timber or Sliding door system

#### Soild doors

- Timber doors can be of 44mm solid core in choice of veneers\*

#### Door frames

- Aluminium full height up to 3000mm, doors are mounted on either of the hinges, pivots or sliding tracks. A range of Ironmongery can be supplied and incorporated with K-LITE 25 series.

#### Size limits

- K-LITE is designed for installation in areas up to nominal vertical panel size of 3000mm x 1200mm

#### Finish

- All exposed aluminium sections are Silver Anodized aluminium finish with 6063 T6 Grade

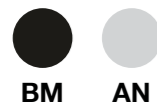
#### Assembly Characteristics

Glazed panels are hung onto a site installed framework of recessed head, side walls and base channels, studs and transoms.

Base tracks have a snap in profile for better installation of glass into section using beads made of silicone gel material and choice of junctions available. Assembly jig supplied ensures the speed accuracy of the installation and correct alignments of panel.

All panels can be removed independently of each other allowing replacement or variation at any time after initial installation.

Available in two colors

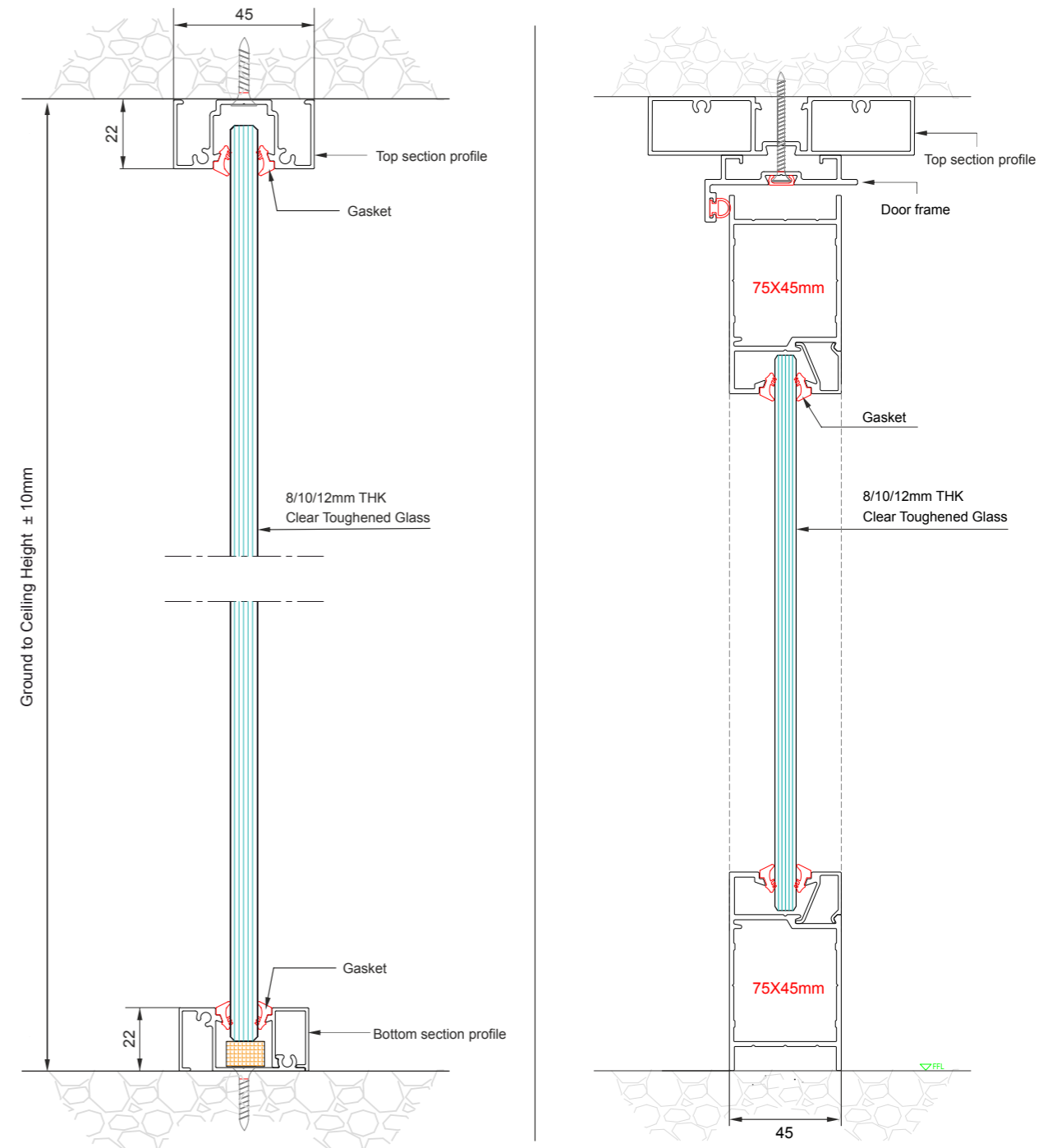


\* Kindly consult Authorised K-LITE person before placing order or confirmation

## K-LITE 100

100mm x 22mm (single glaze)

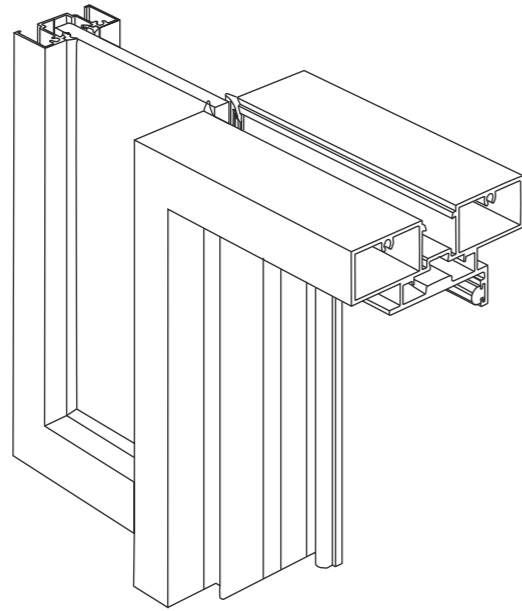
### Technical Details



## K-LITE 100

100mm x 22mm (single glaze)

### SOPHISTICATED ARCHITECTURAL DESIGN OPTIONS



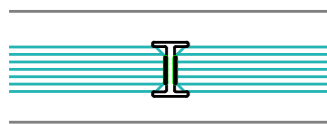
Single Glazed Partition - 100mm x 22mm

### THESE ARE THE OPTIONS FOR JOINING GLASS AT I, L & T JUNCTIONS

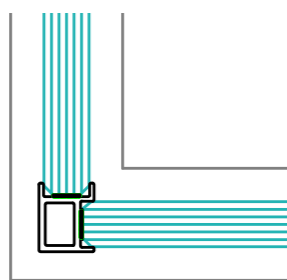
Suitable for 8mm / 10mm / 12mm toughened glass.

The profiles feature a double-sided adhesive tape that guarantee a perfect structural union and sound insulation.

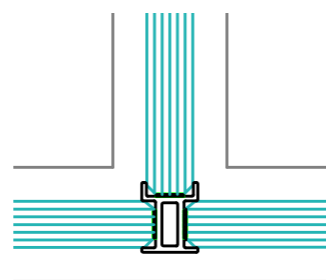
#### I JOINT



#### L JOINT



#### T JOINT



## K-LITE 100

100mm x 22mm (single glaze)





# K-LITE 100

100mm x 22mm

## Door Configuration



K-LITE 45 Glazing with I joint and K-LITE 100 door frame.

Door :- Glass door with side hinges, Double D handle, bottom lock and Door closer.



K-LITE 45 Glazing with I joint and K-LITE 100 door frame.

Door :- Glass door with side hinges, D handle, bottom lock and Door closer.

# K-LITE 100

100mm x 22mm

## Door Configuration



K-LITE 45 Glazing with I joint and K-LITE 100 door frame.

Door :- Glass door with side hinges, H handle, Bottom lock and Door closer.



K-LITE 45 Glazing with I joint and K-LITE 100 door frame.

Door :- Glass door with side hinges, Studio lock and Door closer.



K-LITE 45 Glazing with Stickon and K-LITE 100 Door Frame.

Door :- Stile 75 on Hinges with Stickon and Mortise lock and handle



K-LITE 45 Glazing with I joint and K-LITE 100 Door Frame.

Door :- Stile 75 on Hinges with Mortise lock and handle



K-LITE 45 Glazing with Stickon and K-LITE 100 Door Frame.

Door :- Stile 75 on Hinges with Stickon and Mortise lock and handle



K-LITE 45 Glazing with I joint and K-LITE 100 Door Frame.

Door :- Stile 75 on Hinges with Mortise lock and handle

# K-LITE 100

100mm x 22mm

## Door Configuration



K-LITE 45 Glazing with I joint and K-LITE 100 door frame.

Door :- Glass door with Top-Bottom Pivot, Double D handle and Bottom lock

K-LITE 45 Glazing with I joint and K-LITE 100 door frame.

Door :- Glass door with Top-Bottom Pivot, D handle and Bottom lock



K-LITE 45 Glazing with I joint and K-LITE 100 door frame.

Door :- Glass door with Top-Bottom Pivot and Studio lock

K-LITE 45 Glazing with I joint and K-LITE 100 door frame.

Door :- Glass door with Top-Bottom Pivot, H handle and Bottom lock



# K-LITE 100

100mm x 22mm

## Door Configuration



K-LITE 45 Glazing with Stickon and K-LITE 100 Door Frame.

Door :- Wooden Door with hinges, H handle and Door Closer.

K-LITE 45 Glazing with I Joint and K-LITE 100 Door Frame.

Door :- Wooden Door with hinges, H handle and Door Closer.



## K-LITE 100

100mm x 22mm

### K-LITE 100 (100mmx22mm)

| IMAGES  | CODE   | DESCRIPTION                                      | UNIT | SIZE                                     | COLOUR   |
|---|--|--|------|--|--|
|    | OZKL-45-001 2.5M AN<br>OZKL-45-001 2.5M BM<br>OZKL-45-001 3M AN<br>OZKL-45-001 3M BM     | K-LITE 45mm x 22mm<br>Fix Profile                | SET  | 2.5 Mtr.<br>2.5 Mtr.<br>3 Mtr.<br>3 Mtr. | ● Silver Anodized<br>● Black Matt<br>● Silver Anodized<br>● Black Matt |
|    | OZKL-45-002 3M AN<br>OZKL-45-002 3M BM   | K-LITE 45mm x 22mm<br>Folding Profile            | Pcs. | 3 Mtr.                                   | ● Silver Anodized<br>● Black Matt                                      |
|    | OZKLST-001 3M AN<br>OZKLST-001 3M BM   | Stickon Profile                                  | Pcs. | 3 Mtr.                                   | ● Silver Anodized<br>● Black Matt                                      |
|   | OZKL-100-001 2.5M AN<br>OZKL-100-001 2.5M BM<br>OZKL-100-001 3M AN<br>OZKL-100-001 3M BM | K-LITE 100 Door<br>Frame Profile                 | Pcs. | 2.5 Mtr.<br>2.5 Mtr.<br>3 Mtr.<br>3 Mtr. | ● Silver Anodized<br>● Black Matt<br>● Silver Anodized<br>● Black Matt |
|  | OZKL-PT-001 2.5M AN<br>OZKL-PT-001 2.5M BM<br>OZKL-PT-001 3M AN<br>OZKL-PT-001 3M BM     | Door Jamb for<br>SD 60 and 35mm Solid Door       | Pcs. | 2.5 Mtr.<br>2.5 Mtr.<br>3 Mtr.<br>3 Mtr. | ● Silver Anodized<br>● Black Matt<br>● Silver Anodized<br>● Black Matt |
|  | OZKL-PT-002 2.5M AN<br>OZKL-PT-002 2.5M BM<br>OZKL-PT-002 3M AN<br>OZKL-PT-002 3M BM     | Door Jamb for<br>SD 75 and 45mm Solid Door       | Pcs. | 2.5 Mtr.<br>2.5 Mtr.<br>3 Mtr.<br>3 Mtr. | ● Silver Anodized<br>● Black Matt<br>● Silver Anodized<br>● Black Matt |
|  | OZKL-100-005 3M AN<br>OZKL-100-005 3M BM   | Glass Clip For 100 x 100<br>Access Control Panel | Pcs. | 3 Mtr.                                   | ● Silver Anodized<br>● Black Matt                                      |
|  | OZKL-100-002 3M AN<br>OZKL-100-002 3M BM   | 100 x 100<br>Access Control Panel                | Pcs. | 3 Mtr.                                   | ● Silver Anodized<br>● Black Matt                                      |

● Gold Matt ● Champagne Matt ● Rose Gold Matt  
\*Finishes Available on Request

## K-LITE 100

100mm x 22mm

### K-LITE 100 (100mmx22mm)

| IMAGES  | CODE   | DESCRIPTION                                      | UNIT | SIZE                                     | COLOUR   |
|---|--|--|------|--|--|
|    | OZKL-100-003 3M AN<br>OZKL-100-003 3M BM   | Cover Clip For 100 x 100<br>Access Control Panel | Pcs. | 3 Mtr.                                   | ● Silver Anodized<br>● Black Matt                                      |
|    | OZKL-100-004 3M AN<br>OZKL-100-004 3M BM   | Flush Clip For 100 x 100<br>Access Control Panel | Pcs. | 3 Mtr.                                   | ● Silver Anodized<br>● Black Matt                                      |
|    | OZKL-D60-101 2.5M AN<br>OZKL-D60-101 2.5M BM<br>OZKL-D60-101 3M AN<br>OZKL-D60-101 3M BM | SD 60<br>Vertical Profile<br>60 x 35             | Pcs. | 2.5 Mtr.<br>2.5 Mtr.<br>3 Mtr.<br>3 Mtr. | ● Silver Anodized<br>● Black Matt<br>● Silver Anodized<br>● Black Matt |
|   | OZKL-D60-102 2.1M AN<br>OZKL-D60-102 2.1M BM   | SD 60<br>Top-Bottom Profile<br>60 x 35           | Pcs. | 2.1 Mtr.                                 | ● Silver Anodized<br>● Black Matt                                      |
|  | OZKL-D75-103 2.5M AN<br>OZKL-D75-103 2.5M BM<br>OZKL-D75-103 3M AN<br>OZKL-D75-103 3M BM | SD 75<br>Vertical Profile<br>75 x 45             | Pcs. | 2.5 Mtr.<br>2.5 Mtr.<br>3 Mtr.<br>3 Mtr. | ● Silver Anodized<br>● Black Matt<br>● Silver Anodized<br>● Black Matt |
|  | OZKL-D75-104 2.1M AN<br>OZKL-D75-104 2.1M BM   | SD 75<br>Top-Bottom Profile<br>75 x 45           | Pcs. | 2.1 Mtr.                                 | ● Silver Anodized<br>● Black Matt                                      |
|  | OZKL-I-08 3M AN<br>OZKL-I-08 3M BM   | I Joint for<br>8mm glass                         | Pcs. | 3 Mtr.                                   | ● Silver Anodized<br>● Black Matt                                      |
|  | OZKL-I-10 3M AN<br>OZKL-I-10 3M BM   | I Joint for<br>10mm glass                        | Pcs. | 3 Mtr.                                   | ● Silver Anodized<br>● Black Matt                                      |

● Gold Matt ● Champagne Matt ● Rose Gold Matt  
\*Finishes Available on Request

## K-LITE 100

100mm x 22mm

### K-LITE 100 (100mmx22mm)

| IMAGES  | CODE                                     | DESCRIPTION                    | UNIT | SIZE   | COLOUR                            |
|---|--|--------------------------------|------|--------|-----------------------------------|
|    | OZKL-I-12 3M AN<br>OZKL-I-12 3M BM       | I Joint for<br>12mm glass      | Pcs. | 3 Mtr. | ● Silver Anodized<br>● Black Matt |
|    | OZKL-L-08 3M AN<br>OZKL-L-08 3M BM       | L Joint for<br>8mm glass       | Pcs. | 3 Mtr. | ● Silver Anodized<br>● Black Matt |
|    | OZKL-L-10 3M AN<br>OZKL-L-10 3M BM       | L Joint for<br>10mm glass      | Pcs. | 3 Mtr. | ● Silver Anodized<br>● Black Matt |
|   | OZKL-L-12 3M AN<br>OZKL-L-12 3M BM       | L Joint for<br>12mm glass      | Pcs. | 3 Mtr. | ● Silver Anodized<br>● Black Matt |
|  | OZKL-T-08 3M AN<br>OZKL-T-08 3M BM       | T Joint for<br>8mm glass       | Pcs. | 3 Mtr. | ● Silver Anodized<br>● Black Matt |
|  | OZKL-T-10 3M AN<br>OZKL-T-10 3M BM       | T Joint for<br>10mm glass      | Pcs. | 3 Mtr. | ● Silver Anodized<br>● Black Matt |
|  | OZKL-T-12 3M AN<br>OZKL-T-12 3M BM       | T Joint for<br>12mm glass      | Pcs. | 3 Mtr. | ● Silver Anodized<br>● Black Matt |
|  | OZKL-GASKET-001 GR<br>OZKL-GASKET-001 BK | Used for Door<br>Frame Profile | RMTR | 1 Mtr. | ● Grey<br>● Black                 |

● Gold Matt ● Champagne Matt ● Rose Gold Matt  
\*Finishes Available on Request

## K-LITE 100

100mm x 22mm

### K-LITE 100 (100mmx22mm)





| IMAGES  | CODE   | DESCRIPTION                             | UNIT | SIZE   | COLOUR            |
|---|--|---|------|--------|-------------------|
|    | OZKL-GASKET-002-08 GR<br>OZKL-GASKET-002-08 BK | Gasket for<br>8mm glass                 | RMTR | 1 Mtr. | ● Grey<br>● Black |
|    | OZKL-GASKET-004-10 GR<br>OZKL-GASKET-004-10 BK | Gasket for<br>10mm glass                | RMTR | 1 Mtr. | ● Grey<br>● Black |
|    | OZKL-GASKET-003-12 GR<br>OZKL-GASKET-003-12 BK | Gasket for<br>12mm glass                | RMTR | 1 Mtr. | ● Grey<br>● Black |
|   | OZKL-GASKET-005 GR<br>OZKL-GASKET-005 BK       | Gasket for<br>Door Jamb                 | RMTR | 1 Mtr. | ● Grey<br>● Black |
|  | OZKL-ACC-001                                   | Corner Connector<br>for Door Jamb       | Pcs. | 1      |                   |
|  | OZKL-ACC-002                                   | Corner Connector<br>for Glazing Profile | Pcs. | 1      |                   |
|  | OZKL-ACC-003                                   | Threaded Rod for Door<br>1mtr           | SET  |        |                   |
|  | OZKL-ACC-004                                   | Threaded Rod for Door<br>2mtr           | SET  |        |                   |

● Gold Matt ● Champagne Matt ● Rose Gold Matt  
\*Finishes Available on Request

## K-LITE 100

100mm x 22mm

### K-LITE 100 (100mmx22mm)

| IMAGES   | CODE                  | DESCRIPTION   | UNIT | SIZE | COLOUR |
|--|-----------------------|---|------|------|--------|
|   | OZKL-ACC-005          | Corner Joint for SD 75 when using Door Closer               | Pcs. |      |        |
|   | OZKLFT 10MMx1MMx10M   | Acoustical Single Side Foam Tape                            | ROLL |      |        |
|   | OZKLCT 6MMx1MMx10M    | Double Sided Acrylic Clear Tape used for I, L, T Joint      | ROLL |      |        |
|  | OZKLCT 18MMx0.8MMx10M | Double Sided Acrylic Clear Tape used for BrooOZKLyn Profile | ROLL |      |        |

## K-LITE 100

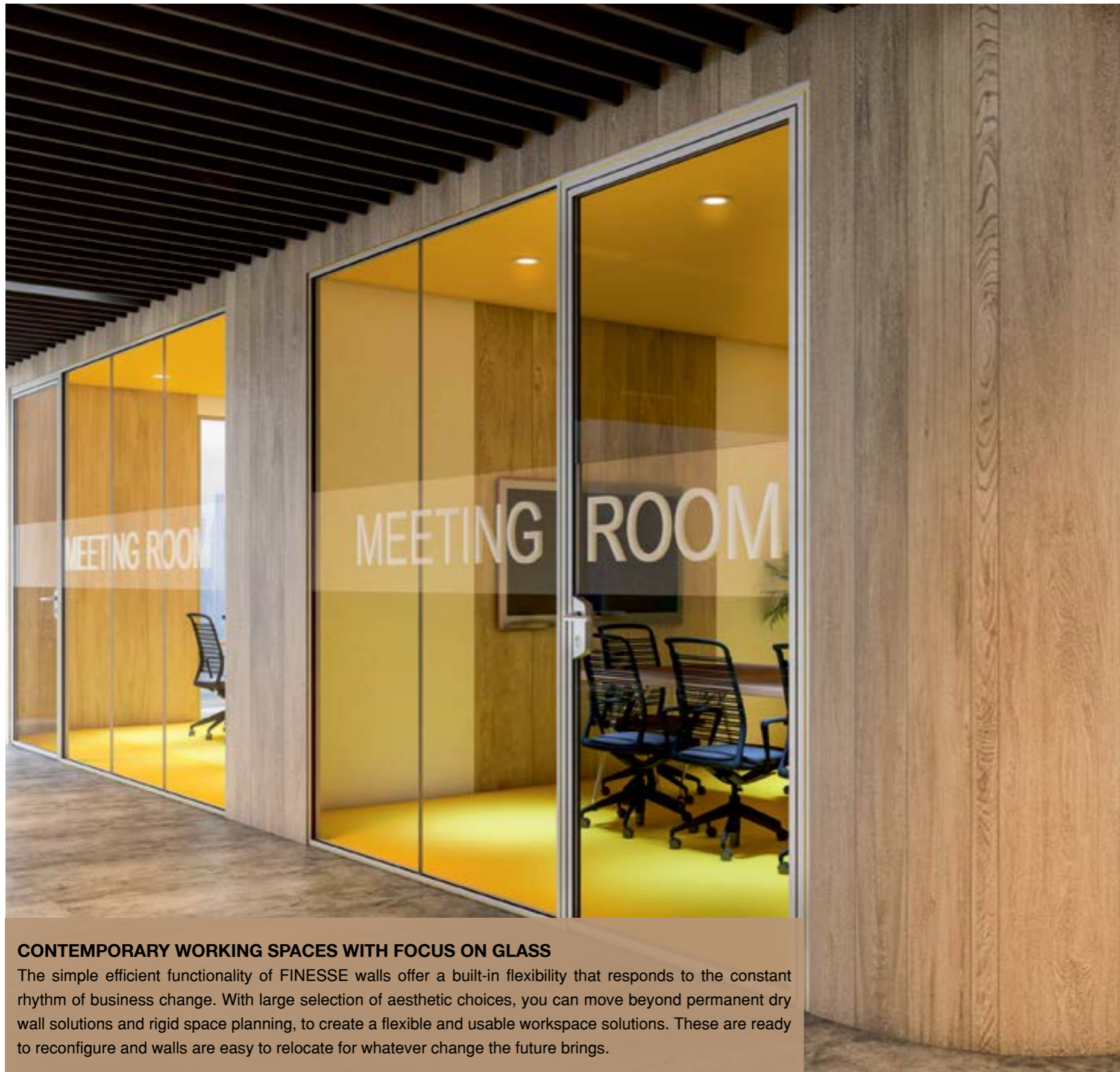
100mm x 22mm



● Gold Matt ● Champagne Matt ● Rose Gold Matt  
\*Finishes Available on Request

## K-LITE EF 75 SG

75mm x 30mm (single glaze)



### CONTEMPORARY WORKING SPACES WITH FOCUS ON GLASS

The simple efficient functionality of FINESSE walls offer a built-in flexibility that responds to the constant rhythm of business change. With large selection of aesthetic choices, you can move beyond permanent dry wall solutions and rigid space planning, to create a flexible and usable workspace solutions. These are ready to reconfigure and walls are easy to relocate for whatever change the future brings.

## K-LITE EF 75 SG

75mm x 30mm (single glaze)



## K-LITE EF 75 SG

75mm x 30mm (single glaze)

### Technical Specification

#### CONTEMPORARY WORKING SPACES WITH FOCUS ON GLASS

The simple efficient functionality of K-LITE EF walls offer a built-in flexibility that responds to the constant rhythm of business change. With large selection of aesthetic choices, you can move beyond permanent dry wall solutions and rigid space planning, to create a flexible and usable workspace solutions. These are ready to reconfigure and walls are easy to relocate for whatever change the future brings.

#### Features

- Demountable glass partition, 75mm thick
- Maximum height : 3000mm (depending on elevations), for bigger heights, reinforcement of the structure required
- Aluminium Profiles : AN/BM Silver Anodized or RAL powder-coated
- Any configuration possible : Full height, Segmented, Segmented at door height, multi-transoms, etc.
- Cove visibility of 10mm on top and bottom
- Glazing seal (Gasket) available : BM & White
- Glass of 5mm or 6mm can be used according to the requirement

#### Hinged doors

- Laminated wooden door
- Aluminium-framed glass door

#### Options and accessories

- Blinds with horizontal or vertical slats
- Integration of light switches into the door jamb
- Automatic drop seal for wood, aluminium framed and glass doors
- Concealed door closer

#### Acoustics

- Glass wall : STC = from 38 to 44 dB
- Door set : STC = from 34 to 38 dB

#### Size limits

- Designed for installation in areas up to nominal vertical panel size of 3000mm x 1200mm

#### Finish

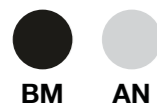
- All exposed aluminium section are Silver Anodized aluminium finish with 6063 T6 Grade

#### Assembly Characteristics

Glazed panels are hung onto a site installed framework of recessed head, side walls and base channels, studs and transoms.

Base tracks have a snap in profile for better installation of glass into section using beads made of silicone gel material and choice of junctions available. Assembly jig supplied ensures the speed and accuracy of the installation and correct alignments of the panel. All panels can be removed independently of each other allowing replacement or variation at any time after initial installation.

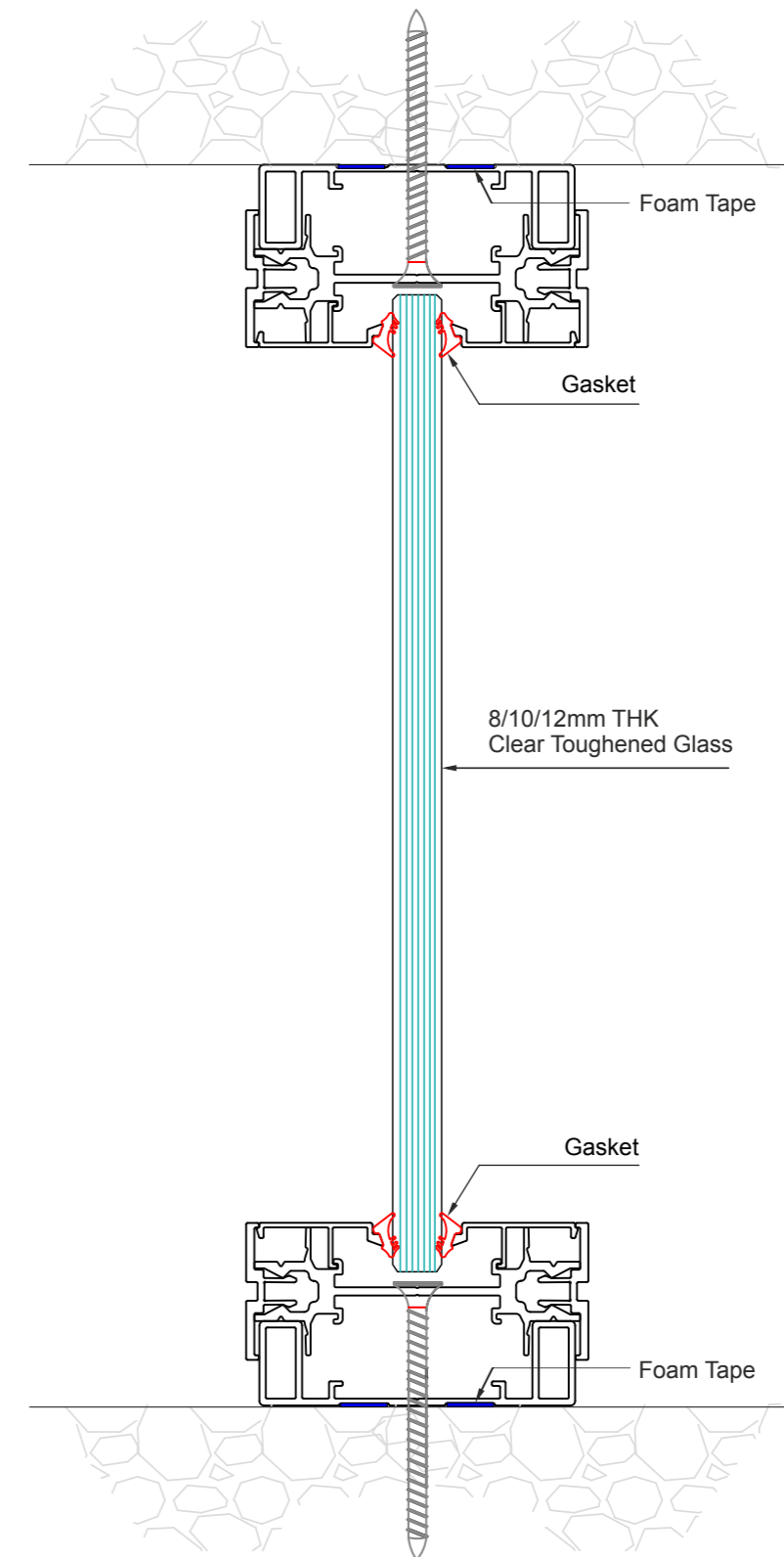
Available in two colors



## K-LITE EF 75 SG

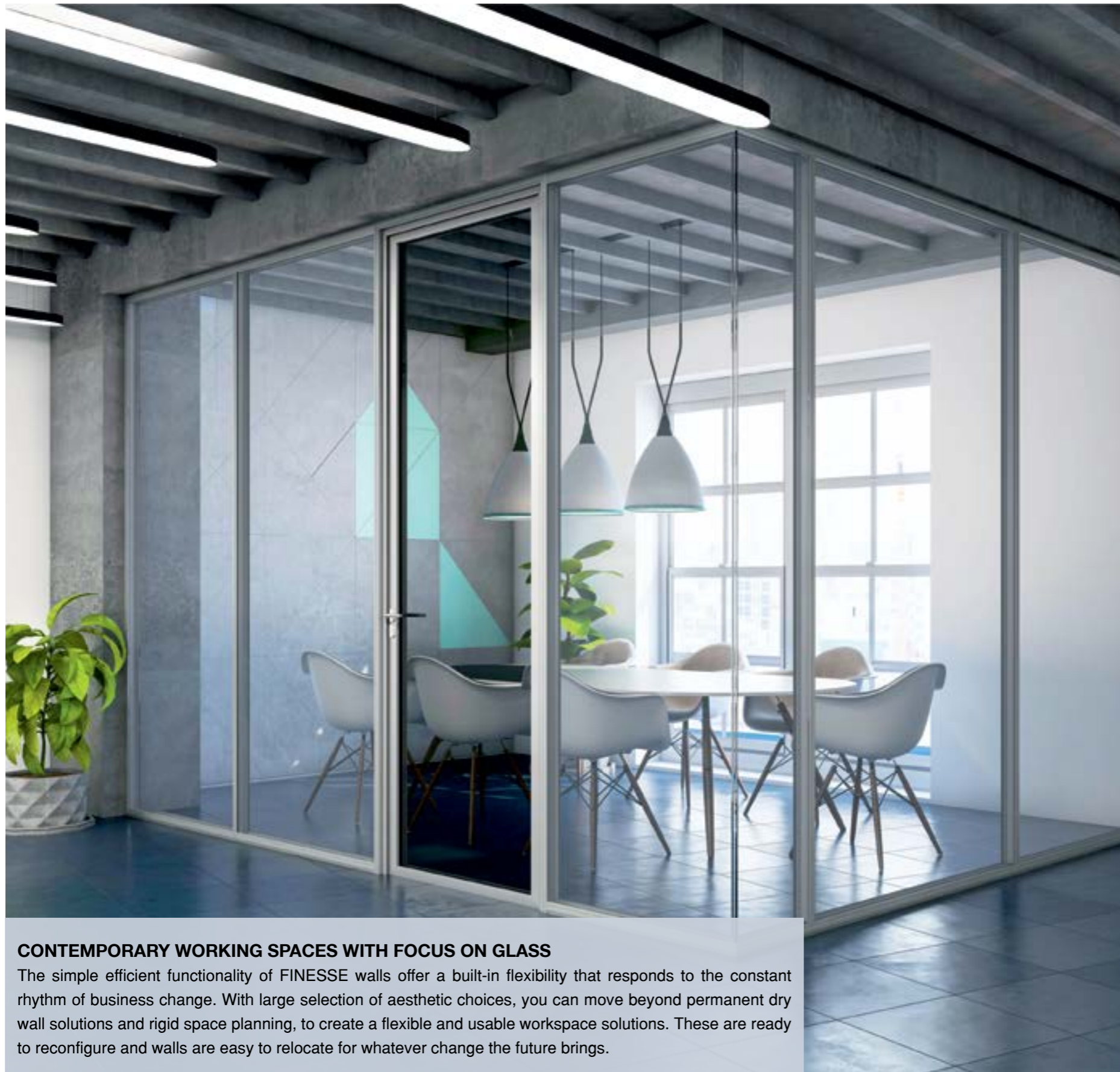
75mm x 30mm (single glaze)

### Single Glaze Option



## K-LITE EF 75 DG

75mm x 30mm (Double glaze)

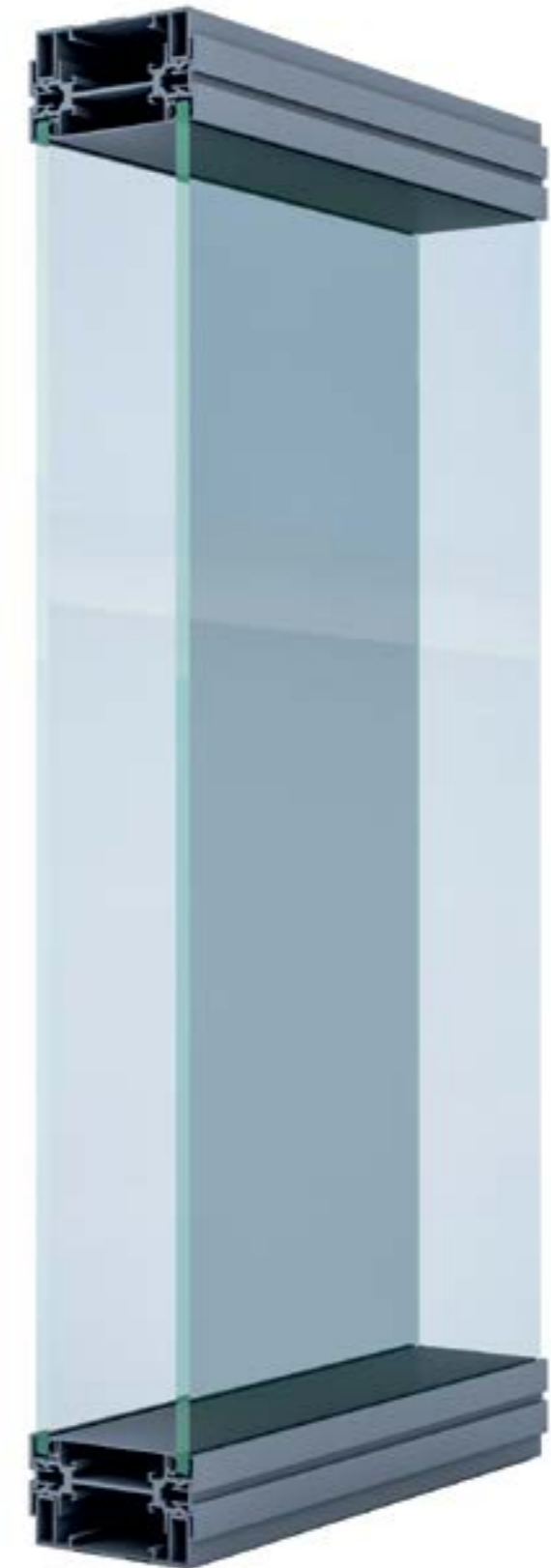


### CONTEMPORARY WORKING SPACES WITH FOCUS ON GLASS

The simple efficient functionality of FINESSE walls offer a built-in flexibility that responds to the constant rhythm of business change. With large selection of aesthetic choices, you can move beyond permanent dry wall solutions and rigid space planning, to create a flexible and usable workspace solutions. These are ready to reconfigure and walls are easy to relocate for whatever change the future brings.

## K-LITE EF 75 DG

75mm x 30mm (Double glaze)





## K-LITE EF 75 DG

75mm x 30mm (Double glaze)

### Technical Specification

#### CONTEMPORARY WORKING SPACES WITH FOCUS ON GLASS

The simple efficient functionality of K-LITE EF walls offer a built-in flexibility that responds to the constant rhythm of business change. With large selection of aesthetic choices, you can move beyond permanent dry wall solutions and rigid space planning, to create a flexible and usable workspace solutions. These are ready to reconfigure and walls are easy to relocate for whatever change the future brings.

#### Features

- Demountable glass partition, 75mm thick
- Maximum height : 3000mm (depending on elevations), for bigger heights, reinforcement of the structure required
- Aluminium Profiles : AN/BM Silver Anodized or RAL powder-coated
- Any configuration possible : Full height, Segmented, Segmented at door height, multi-transoms, etc.
- Cove visibility of 10mm on top and bottom
- Glazing seal (Gasket) available : BM & White
- Glass of 5mm or 6mm can be used according to the requirement

#### Hinged doors

- Laminated wooden door
- Aluminium-framed glass door

#### Options and accessories

- Blinds with horizontal or vertical slats
- Integration of light switches into the door jamb
- Automatic drop seal for wood, aluminium framed and glass doors
- Concealed door closer

#### Acoustics

- Glass wall : STC = from 30 to 35 dB
- Door set : STC = from 28 to 30 dB

#### Size limits

- Designed for installation in areas up to nominal vertical panel size of 3000mm x 1200mm

#### Finish

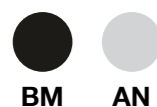
- All exposed aluminium section are Silver Anodized aluminium finish with 6063 T6 Grade

#### Assembly Characteristics

Glazed panels are hung onto a site installed framework of recessed head, side walls and base channels, studs and transoms.

Base tracks have a snap in profile for better installation of glass into section using beads made of silicone gel material and choice of junctions available. Assembly jig supplied ensures the speed and accuracy of the installation and correct alignments of the panel. All panels can be removed independently of each other allowing replacement or variation at any time after initial installation.

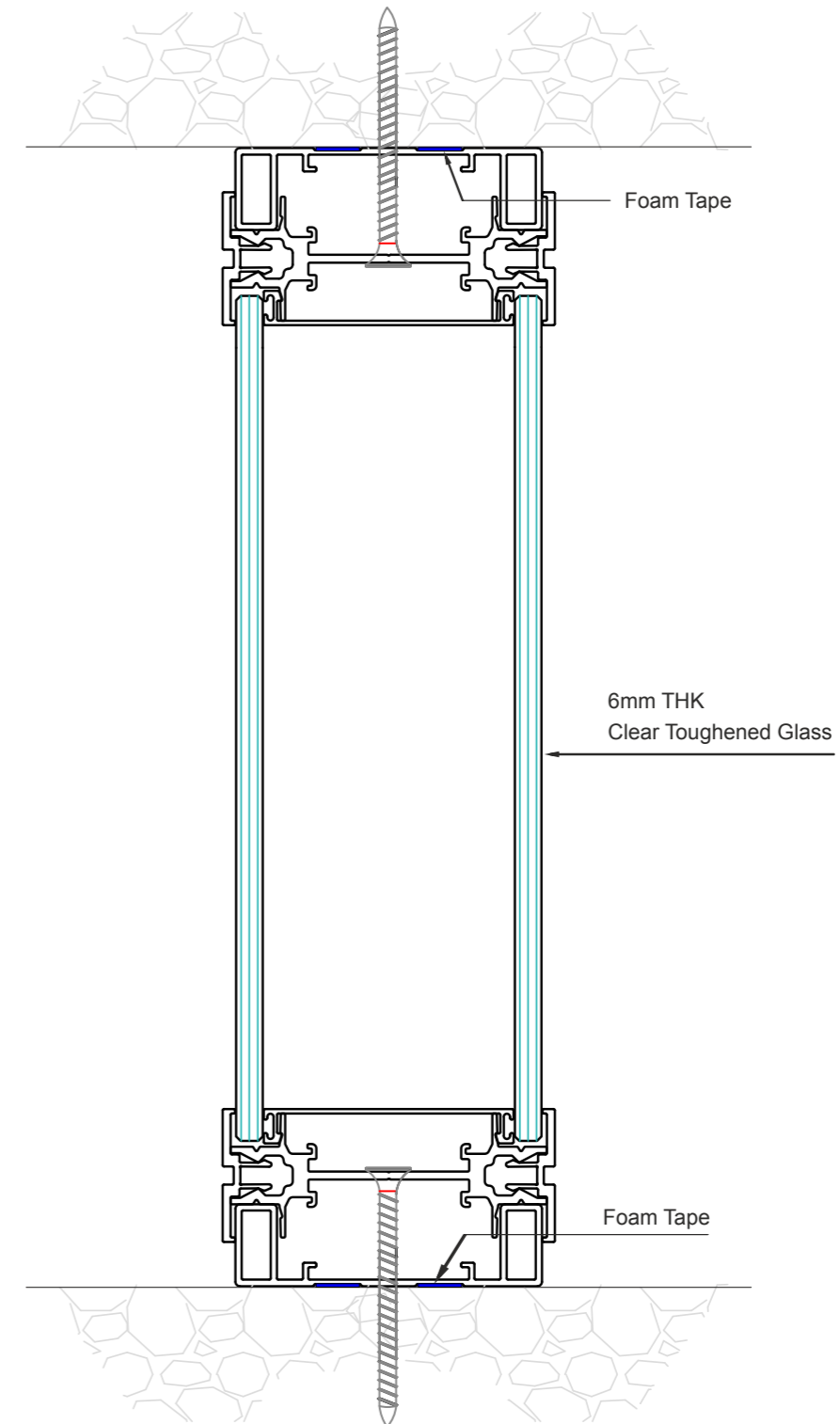
Available in two colors



## K-LITE EF 75 DG

75mm x 30mm (Double glaze)

### Double Glaze Option



## K-LITE EF 75 WD

75mm x 30mm (Wooden)



### CONTEMPORARY WORKING SPACES WITH FOCUS ON GLASS

The simple efficient functionality of FINESSE walls offer a built-in flexibility that responds to the constant rhythm of business change. With large selection of aesthetic choices, you can move beyond permanent dry wall solutions and rigid space planning, to create a flexible and usable workspace solutions. These are ready to reconfigure and walls are easy to relocate for whatever change the future brings.

## K-LITE EF 75 WD

75mm x 30mm (Wooden)

### Technical Specification

#### CONTEMPORARY WORKING SPACES WITH FOCUS ON GLASS

The simple efficient functionality of K-LITE EF walls offer a built-in flexibility that responds to the constant rhythm of business change. With large selection of aesthetic choices, you can move beyond permanent dry wall solutions and rigid space planning, to create a flexible and usable workspace solutions. These are ready to reconfigure and walls are easy to relocate for whatever change the future brings.

#### Features

- Demountable glass partition, 75mm thick
- Maximum height : 3000mm (depending on elevations), for bigger heights, reinforcement of the structure required
- Aluminium Profiles : AN/BM Silver Anodized or RAL powder-coated
- Any configuration possible : Full height, Segmented, Segmented at door height, multi-transoms, etc.
- Cove visibility of 10mm on top and bottom
- Glazing seal (Gasket) available : BM & White
- Glass of 5mm or 6mm can be used according to the requirement

#### Hinged doors

- Laminated wooden door
- Aluminium-framed glass door

#### Options and accessories

- Blinds with horizontal or vertical slats
- Integration of light switches into the door jamb
- Automatic drop seal for wood, aluminium framed and glass doors
- Concealed door closer

#### Acoustics

- Glass wall : STC = from 30 to 35 dB
- Door set : STC = from 28 to 30 dB

#### Size limits

- Designed for installation in areas up to nominal vertical panel size of 3000mm x 1200mm

#### Finish

- All exposed aluminium section are Silver Anodized aluminium finish with 6063 T6 Grade

#### Assembly Characteristics

Glazed panels are hung onto a site installed framework of recessed head, side walls and base channels, studs and transoms.

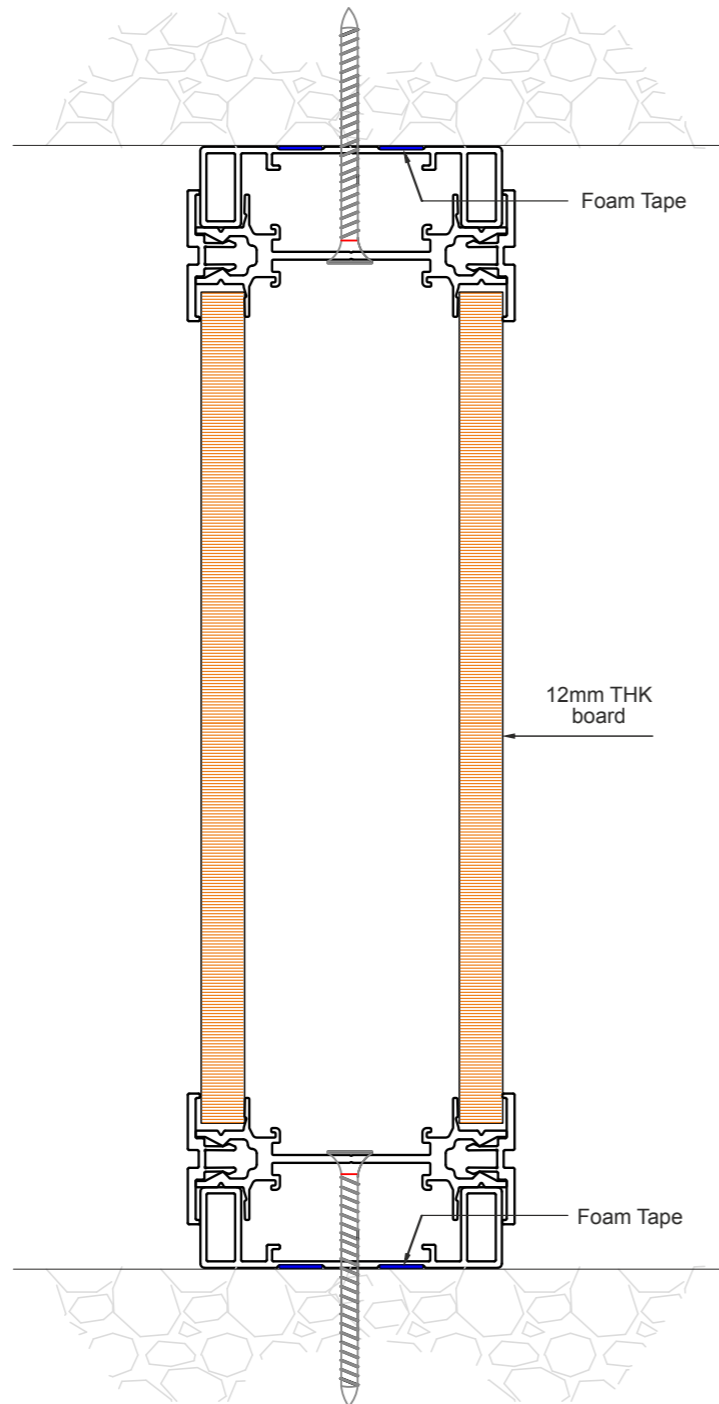
Base tracks have a snap in profile for better installation of glass into section using beads made of silicone gel material and choice of junctions available. Assembly jig supplied ensures the speed and accuracy of the installation and correct alignments of the panel. All panels can be removed independently of each other allowing replacement or variation at any time after initial installation.

Available in two colors



# K-LITE EF 75 WD

75mm x 30mm (Wooden)



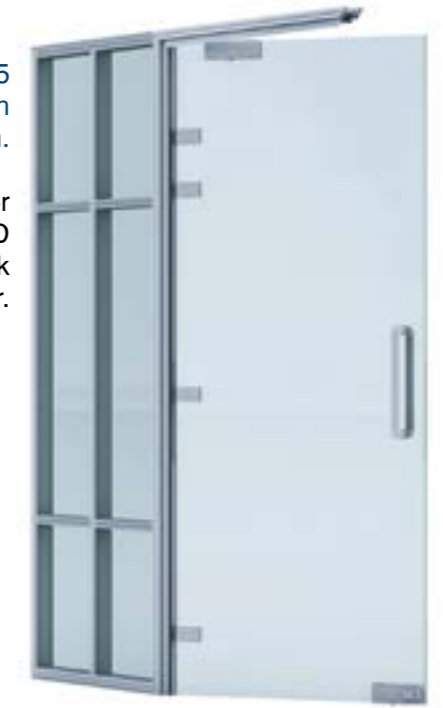
# K-LITE EF 75

75mm x 30mm



K-LITE EF 75  
Glazing with  
segmented partition.

Door :- Glass door  
with side hinges, D  
handle, bottom lock  
and Door closer.



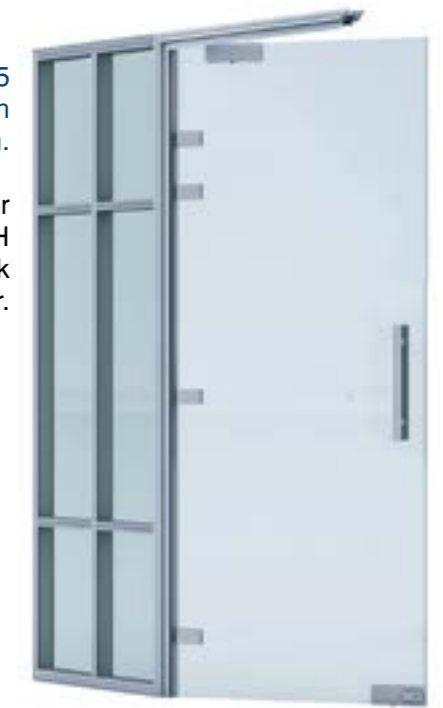
K-LITE EF 75  
Glazing with  
segmented partition.

Door :- Glass door  
with side hinges,  
Studio lock and  
Door closer.



K-LITE EF 75  
Glazing with  
segmented partition.

Door :- Glass door  
with side hinges, H  
handle, bottom lock  
and Door closer.



K-LITE EF 75  
Glazing with  
segmented partition.

Door :- Glass door  
with side hinges,  
Double D handle,  
bottom lock and  
Door closer.

# K-LITE EF 75

75mm x 30mm



K-LITE EF 75  
Glazing with  
segmented partition.

Door :- Stile 75  
on Hinges with  
Mortise lock and  
handle

K-LITE EF 75  
Glazing with  
segmented partition.

Door :- Stile 60 on  
Hinges with Mortise  
lock and handle



K-LITE EF 75  
Glazing with  
segmented partition.

Door :- Glass door  
with Top-Bottom  
Pivot, Double D  
handle and  
Bottom lock.

K-LITE EF 75  
Glazing with  
segmented partition.

Door :- Glass door  
with Top-Bottom  
Pivot and Studio  
lock



K-LITE EF 75  
Glazing with  
segmented partition.

Door :- Glass door  
with Side hinges,  
Door closer,  
H handle and  
Bottom lock.

K-LITE EF 75  
Glazing with  
segmented partition.

Door :- Wooden  
Door with hinges,  
H handle and Door  
Closer.

# K-LITE EF 75

75mm x 30mm



K-LITE EF 75  
Glazing with  
segmented partition.

Door :- Glass door  
with Top-Bottom  
Pivot, H handle and  
Bottom lock.

Ecofinesse Glazing  
with segmented  
partition.

Door :- Glass door  
with Top-Bottom  
Pivot, D handle and  
Bottom lock.



K-LITE EF 75  
Glazing with  
segmented partition.

Door :- Glass door  
with Side hinges,  
Door closer,  
H handle and  
Bottom lock.

K-LITE EF 75  
Glazing with  
segmented partition.

Door :- Wooden  
Door with hinges,  
H handle and Door  
Closer.



# K-LITE EF 75

75mm x 30mm



K-LITE EF 75  
Glazing with  
segmented partition.

Door :- Glass door  
with Side hinges,  
Door closer,  
Double D handle  
and Bottom lock.

K-LITE EF 75  
Glazing with  
segmented partition.

Door :- Glass door  
with Side hinges,  
Studio Lock and  
Door closer



# K-LITE EF 75

75mm x 30mm



K-LITE EF 75  
Glazing with  
segmented partition.

Door :- Stile 75  
on Hinges with  
Mortise lock and  
handle

K-LITE EF 75  
Glazing with  
segmented partition.

Door :- Stile 60 on  
Hinges with Mortise  
lock and handle



K-LITE EF 75  
Glazing with  
segmented partition.

Door :- Glass door  
with Top-Bottom  
Pivot and Studio  
Lock

K-LITE EF 75  
Glazing with  
segmented partition.

Door :- Glass door  
with Side hinges,  
Door closer,  
D handle and  
Bottom lock.



K-LITE EF 75  
Glazing with  
segmented partition.

Door :- Glass door  
with Top-Bottom  
Pivot, H handle and  
Bottom lock.

K-LITE EF 75  
Glazing with  
segmented partition.

Door :- Glass door  
with Top-Bottom  
Pivot, Double D  
handle and Bottom  
lock.



# K-LITE EF 75

75mm x 30mm



K-LITE EF 75  
Glazing with  
segmented partition.

Door :- Glass door  
with Top-Bottom  
Pivot, D handle and  
Bottom lock.

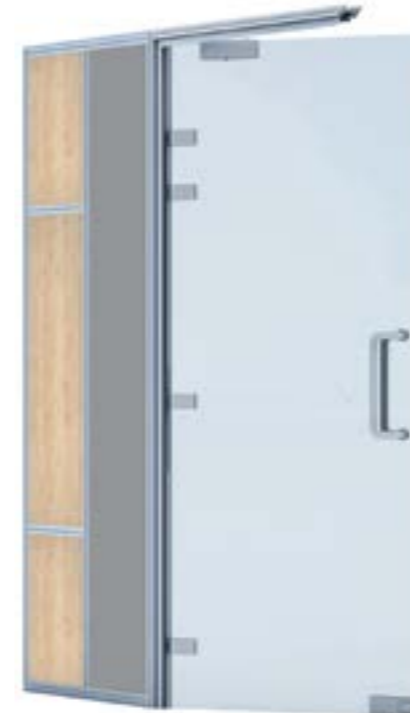
K-LITE EF 75  
Glazing with  
segmented partition.

Door :- Wooden  
Door with hinges,  
H handle and Door  
Closer.



# K-LITE EF 75

75mm x 30mm

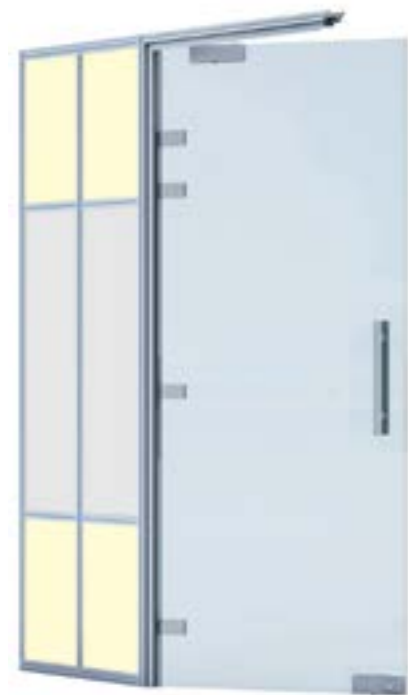


K-LITE EF  
75Glazing with  
segmented partition.

Door :- Glass door  
with side hinges,  
D handle, bottom  
lock and Door  
closer.

K-LITE EF 75  
Glazing with  
segmented partition.

Door :- Glass door  
with side hinges,  
Double D handle,  
bottom lock and  
Door closer.

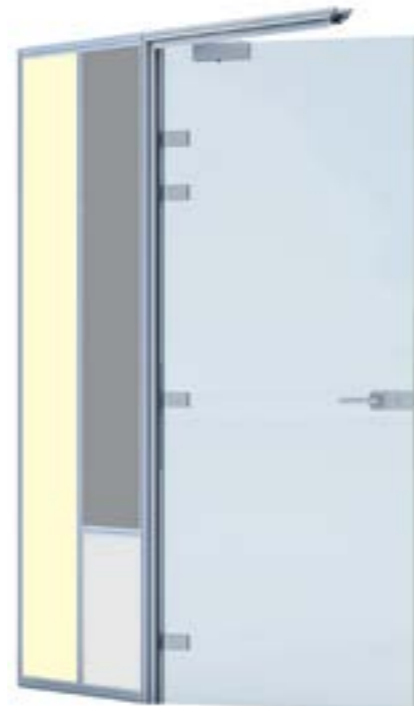


K-LITE EF 75  
Glazing with  
segmented partition.

Door :- Glass door  
with side hinges,  
Studio lock and  
Door closer.

K-LITE EF 75  
Glazing with  
segmented partition.

Door :- Glass door  
with side hinges, H  
handle, bottom lock  
and Door closer.



K-LITE EF 75  
Glazing with  
segmented partition.

Door :- Stile 75  
on Hinges with  
Mortise lock and  
handle

K-LITE EF 75  
Glazing with  
segmented partition.

Door :- Stile 60  
on Hinges with  
Mortise lock and  
handle



# K-LITE EF 75

75mm x 30mm



K-LITE EF 75  
Glazing with  
segmented partition.

Door :- Glass door  
with Top-Bottom  
Pivot, Double D  
handle and  
Bottom lock.

K-LITE EF 75  
Glazing.

Door :- Glass door  
with Top-Bottom  
Pivot and Studio  
Lock



K-LITE EF 75  
Glazing.

Door :- Glass door  
with Top-Bottom  
Pivot, D handle and  
Bottom Lock



K-LITE EF 75  
Glazing with  
segmented partition.

Door :- Glass door  
with Top-Bottom  
Pivot, H handle and  
Bottom Lock



# K-LITE EF 75

75mm x 30mm



K-LITE EF 75  
Glazing with  
segmented partition.

Door :- Wooden  
Door with hinges,  
H handle and Door  
Closer.

K-LITE EF 75  
Glazing

Door :- Wooden  
Door with hinges, H  
handle and  
Door Closer.



## K-LITE EF 75

75mm x 30mm

### K-LITE 75 (75mmx30mm)

| IMAGES  | CODE   | DESCRIPTION                                | UNIT | SIZE                                     | COLOUR   |
|---|--|--|------|--|--|
|    | OZKLEF-001 3M AN<br>OZKLEF-001 3M BM   | Top-Bottom<br>Levelling Profile            | Pcs. | 3 Mtr.                                   | ● Silver Anodized<br>● Black Matt                                      |
|    | OZKLEF-002 3.05M MILL  | Mullion                                    | Pcs. | Mill                                     | ● Silver Anodized<br>● Black Matt                                      |
|    | OZKLST-001 3M AN<br>OZKLST-001 3M BM   | Stickon Profile                            | Pcs. | 3 Mtr.                                   | ● Silver Anodized<br>● Black Matt                                      |
|   | OZKLEF-003 3M AN<br>OZKLEF-003 3M BM   | Common Outer Clip                          | Pcs. | 3 Mtr.                                   | ● Silver Anodized<br>● Black Matt                                      |
|  | OZKLEF-004 3M AN<br>OZKLEF-004 3M BM   | Single Glaze Clip                          | Pcs. | 3 Mtr.                                   | ● Silver Anodized<br>● Black Matt                                      |
|  | OZKLEF-005 3M AN<br>OZKLEF-005 3M BM   | Double Glaze Clip                          | Pcs. | 3 Mtr.                                   | ● Silver Anodized<br>● Black Matt                                      |
|  | OZKL-PT-001 2.5M AN<br>OZKL-PT-001 2.5M BM<br>OZKL-PT-001 3M AN<br>OZKL-PT-001 3M BM | Door Jamb for<br>SD 60 and 35mm Solid Door | Pcs. | 2.5 Mtr.<br>2.5 Mtr.<br>3 Mtr.<br>3 Mtr. | ● Silver Anodized<br>● Black Matt<br>● Silver Anodized<br>● Black Matt |
|  | OZKL-PT-002 2.5M AN<br>OZKL-PT-002 2.5M BM<br>OZKL-PT-002 3M AN<br>OZKL-PT-002 3M BM | Door Jamb for<br>SD 75 and 45mm Solid Door | Pcs. | 2.5 Mtr.<br>2.5 Mtr.<br>3 Mtr.<br>3 Mtr. | ● Silver Anodized<br>● Black Matt<br>● Silver Anodized<br>● Black Matt |

● Gold Matt ● Champagne Matt ● Rose Gold Matt  
\*Finishes Available on Request

## K-LITE EF 75

75mm x 30mm

### K-LITE 75 (75mmx30mm)

| IMAGES  | CODE   | DESCRIPTION                            | UNIT | SIZE                                     | COLOUR   |
|---|--|--|------|--|--|
|    | OZKL-D60-101 2.5M AN<br>OZKL-D60-101 2.5M BM<br>OZKL-D60-101 3M AN<br>OZKL-D60-101 3M BM | SD 60<br>Vertical Profile<br>60 x 35   | Pcs. | 2.5 Mtr.<br>2.5 Mtr.<br>3 Mtr.<br>3 Mtr. | ● Silver Anodized<br>● Black Matt<br>● Silver Anodized<br>● Black Matt |
|    | OZKL-D60-102 2.1M AN<br>OZKL-D60-102 2.1M BM   | SD 60<br>Top-Bottom Profile<br>60 x 35 | Pcs. | 2.1 Mtr.                                 | ● Silver Anodized<br>● Black Matt                                      |
|    | OZKL-D75-103 2.5M AN<br>OZKL-D75-103 2.5M BM<br>OZKL-D75-103 3M AN<br>OZKL-D75-103 3M BM | SD 75<br>Vertical Profile<br>75 x 45   | Pcs. | 2.5 Mtr.<br>2.5 Mtr.<br>3 Mtr.<br>3 Mtr. | ● Silver Anodized<br>● Black Matt<br>● Silver Anodized<br>● Black Matt |
|   | OZKL-D75-104 2.1M AN<br>OZKL-D75-104 2.1M BM   | SD 75<br>Top-Bottom Profile<br>75 x 45 | Pcs. | 2.1 Mtr.                                 | ● Silver Anodized<br>● Black Matt                                      |
|  | OZKL-I-08 3M AN<br>OZKL-I-08 3M BM   | I Joint for<br>8mm glass               | Pcs. | 3 Mtr.                                   | ● Silver Anodized<br>● Black Matt                                      |
|  | OZKL-I-10 3M AN<br>OZKL-I-10 3M BM   | I Joint for<br>10mm glass              | Pcs. | 3 Mtr.                                   | ● Silver Anodized<br>● Black Matt                                      |
|  | OZKL-I-12 3M AN<br>OZKL-I-12 3M BM   | I Joint for<br>12mm glass              | Pcs. | 3 Mtr.                                   | ● Silver Anodized<br>● Black Matt                                      |
|  | OZKL-L-08 3M AN<br>OZKL-L-08 3M BM   | L Joint for<br>8mm glass               | Pcs. | 3 Mtr.                                   | ● Silver Anodized<br>● Black Matt                                      |

● Gold Matt ● Champagne Matt ● Rose Gold Matt  
\*Finishes Available on Request



## K-LITE EF 75

75mm x 30mm

### K-LITE 75 (75mmx30mm)

| IMAGES  | CODE   | DESCRIPTION                    | UNIT | SIZE   | COLOUR                            |
|---|--|--------------------------------|------|--------|-----------------------------------|
|    | OZKL-L-10 3M AN<br>OZKL-L-10 3M BM             | L Joint for<br>10mm glass      | Pcs. | 3 Mtr. | ● Silver Anodized<br>● Black Matt |
|    | OZKL-L-12 3M AN<br>OZKL-L-12 3M BM             | L Joint for<br>12mm glass      | Pcs. | 3 Mtr. | ● Silver Anodized<br>● Black Matt |
|    | OZKL-T-08 3M AN<br>OZKL-T-08 3M BM             | T Joint for<br>8mm glass       | Pcs. | 3 Mtr. | ● Silver Anodized<br>● Black Matt |
|   | OZKL-T-10 3M AN<br>OZKL-T-10 3M BM             | T Joint for<br>10mm glass      | Pcs. | 3 Mtr. | ● Silver Anodized<br>● Black Matt |
|  | OZKL-T-12 3M AN<br>OZKL-T-12 3M BM             | T Joint for<br>12mm glass      | Pcs. | 3 Mtr. | ● Silver Anodized<br>● Black Matt |
|  | OZKL-GASKET-001 GR<br>OZKL-GASKET-001 BK       | Used for Door<br>Frame Profile | RMTR | 1      | ● Grey<br>● Black                 |
|  | OZKL-GASKET-002-08 GR<br>OZKL-GASKET-002-08 BK | Gasket for<br>8mm glass        | RMTR | 1      | ● Grey<br>● Black                 |
|  | OZKL-GASKET-004-10 GR<br>OZKL-GASKET-004-10 BK | Gasket for<br>10mm glass       | RMTR | 1      | ● Grey<br>● Black                 |

● Gold Matt ● Champagne Matt ● Rose Gold Matt  
\*Finishes Available on Request

## K-LITE EF 75

75mm x 30mm

### K-LITE 75 (75mmx30mm)

| IMAGES  | CODE   | DESCRIPTION   | UNIT | SIZE   | COLOUR            |
|---|--|---|------|--------|-------------------|
|    | OZKL-GASKET-003-12 GR<br>OZKL-GASKET-003-12 BK | Gasket for<br>12mm glass  | RMTR | 3 Mtr. | ● Grey<br>● Black |
|    | OZKL-GASKET-005 GR<br>OZKL-GASKET-005 BK       | Gasket for<br>Door Jamb   | RMTR | 3 Mtr. | ● Grey<br>● Black |
|    | OZKL-ACC-001                                   | Corner Connector<br>for Door Jamb                                 | Pcs. | 1      |                   |
|   | OZKL-ACC-002                                   | Corner Connector<br>for Glazing Profile                           | Pcs. | 1      |                   |
|  | OZKL-ACC-003                                   | Threaded Rod for Door<br>1mtr                                     | SET  |        |                   |
|  | OZKL-ACC-004                                   | Threaded Rod for Door<br>2mtr                                     | SET  |        |                   |
|  | OZKL-ACC-005                                   | Corner Joint for SD 75<br>when using Door Closer                  | Pcs. |        |                   |
|  | OZKLFT 10MMx1MMx10M                            | Acoustical Single Side<br>Foam Tape                               | Roll |        |                   |
|  | OZKLCT 6MMx1MMx10M                             | Double Sided Acrylic Clear<br>Tape used for I, L, T Joint         | Roll |        |                   |
|  | OZKLCT 18MMx0.8MMx10M                          | Double Sided Acrylic Clear<br>Tape used for BrooOZKLyn<br>Profile | Roll |        |                   |

● Gold Matt ● Champagne Matt ● Rose Gold Matt  
\*Finishes Available on Request

## HARDWARE ACCESSORIES

### OZONE HARDWARE

| IMAGES  | CODE  | DESCRIPTION  | UNIT | SIZE | COLOUR  |
|---|---|--|------|------|---|
|    | OZ-PGDH STD SSS<br>OZ-PGDH STD BM   | For glass thickness : 10mm to 12mm<br>Max. door weight : 80 Kgs / Pair<br>Max. door width : 900mm<br>Max. door height : 2400mm<br>SSS/BM finish. | SET  |      | ● SSS<br>● Black Matt   |
|    | OZ-DP1/2-GDL STD AN<br>OZ-DP1/2-GDL STD BM  | For glass thickness : 10mm to 12mm<br>AN/BM finish.<br>Material : SUS 304  | SET  |      | ● Silver Anodized<br>● Black Matt                                       |
|    | OPL-1P STD SS<br>OPL-1P STD BM  | For glass thickness : 10mm to 12mm<br>SSS/ BM finish.<br>Material : Alloy  | SET  |      | ● SSS<br>● Black Matt   |
|   | OMH-11LN STD SSS<br>OMH-11LN STD BM   | Lever Handle<br>For Framed Door & Flush Door<br>SSS/ BM finish.<br>Material : SUS 304  | SET  |      | ● SSS<br>● Black Matt   |
|  | OMH-33N STD SSS<br>OMH-33N STD BM   | Lever Handle<br>For Framed Door & Flush Door<br>SSS/ BM finish.<br>Material : SUS 304  | SET  |      | ● SSS<br>● Black Matt   |
|  | OGH-55 32x457MM SSS<br>OGH-55 32x457MM BM<br>OGH-55 32x457MM SSS<br>OGH-55 32x457MM BM                                  | For glass thickness : 10mm to 12mm<br>SSS/BM finish.<br>Material : SUS 304   | SET  |      | ● SSS<br>● Black Matt<br>● SSS<br>● Black Matt                          |
|  | OGH-11 25X325 SSS<br>OGH-11 25X325 BM<br>OGH-11 25X450 SSS<br>OGH-11 25X450 BM<br>OGH-11 32X600 SSS<br>OGH-11 32X600 BM | For glass thickness : 10mm to 12mm<br>SSS/BM finish.<br>Material : SUS 304   | SET  |      | ● SSS<br>● Black Matt<br>● SSS<br>● Black Matt<br>● SSS<br>● Black Matt |

● Gold Matt ● Champagne Matt ● Rose Gold Matt  
\*Finishes Available on Request

## HARDWARE ACCESSORIES

### OZONE HARDWARE

| IMAGES  | CODE   | DESCRIPTION   | UNIT | SIZE | COLOUR  |
|---|--|---|------|------|---|
|    | OGH-OFS-11 25X325MM SSS<br>OGH-OFS-11 25X325MM BM<br>OGH-OFS-11 25X475MM SSS<br>OGH-OFS-11 25X475MM BM<br>OGH-OFS-11 25X625MM SSS<br>OGH-OFS-11 25X625MM BM) | For glass thickness : 10mm to 12mm<br>SSS/BM finish.<br>Material : SUS 304  | SET  |      | ● SSS<br>● Black Matt<br>● SSS<br>● Black Matt<br>● SSS<br>● Black Matt |
|    | OMC-22-K2K-N2 60MM SN<br>OMC-22-K2K-N2 60MM BM<br>OMC-22-K2K-N2 70MM SN<br>OMC-22-K2K-N2 70MM BM   | Key to Key Cylinder<br>Length/ Size : 60mm<br>Material : SS SUS 304<br>Supplied with 5 Keys<br>computerized<br>Finish : SN/BM   | SET  |      | ● Satin Nickel<br>● Black Matt<br>● Satin Nickel<br>● Black Matt        |
|    | OMC-22-K2N-N2 60MM SN<br>OMC-22-K2N-N2 60MM BM<br>OMC-22-K2N-N2 70MM SN<br>OMC-22-K2N-N2 70MM BM   | Key to Knob Cylinder<br>Length/ Size : 60mm / 70mm<br>Material : SS SUS 304<br>Supplied with 5 Keys<br>computerized<br>Finish : SN/BM   | SET  |      | ● Satin Nickel<br>● Black Matt<br>● Satin Nickel<br>● Black Matt        |
|  | OZ-DST-11 STD SN<br>OZ-DST-11 STD BM   | Half moon type Door Stopper<br>Material : SS SUS 304<br>Finish : SSS/BM   | Pcs. |      | ● SSS<br>● Black Matt   |
|  | NSK-780 STD SILVER<br>NSK-780 STD BM   | Overhead Rack & Pinion Door Closer<br>with Scissor/Cross Arm<br>Maximum Door Weight 80 Kg.<br>Maximum Door Width 950mm.<br>500,000 Cycles Tested<br>EN 2-5 EN 1154, CE Certified,<br>UL Listed<br>Finish : AN/BM  | Pcs. |      | ● Silver Anodized<br>● Black Matt                                       |
|  | CDC-3800-SL TA SILVER<br>CDC-3800-SL TA BM   | Rack and Pinion Concealed Door Closer with Hold Open Function and Closing Force EN 3 Identical design for DIN left and DIN right<br>Length - 229mm, Width - 28mm, Height - 70mm<br>Closing force adjustable - 110-0<br>Latching action adjustable - 15-0<br>Finish: AN/BM   | Pcs. |      | ● Silver Anodized<br>● Black Matt                                       |
|  | CDC-CA-6800-SL TA SILVER<br>CDC-CA-6800-SL TA BM   | Cam Action Concealed Door Closer with Hold Open Function and Adjustable Closing Force EN 2-4 Identical design for DIN left and DIN right<br>Suitability for fire protection doors<br>Length - 239mm, Width - 32mm, Height - 45mm<br>Closing force adjustable - 110-0<br>Latching action adjustable - 15-0<br>Back check integrated<br>Finish: AN/BM | Pcs. |      | ● Silver Anodized<br>● Black Matt                                       |

● Gold Matt ● Champagne Matt ● Rose Gold Matt  
\*Finishes Available on Request

## HARDWARE ACCESSORIES



### OZONE HARDWARE

| IMAGES  | CODE  | DESCRIPTION   | UNIT | SIZE | COLOUR                            |
|---|---|---|------|------|-----------------------------------|
|    | NSK-ACC-780-PLATE STD<br>SILVER<br>NSK-ACC-780-PLATE STD BM | Mounting Plate for Scissor/Cross Arm Door Closer<br>Material: Aluminium<br>Finish : AN/BM   | Pcs. |      | ● Silver Anodized<br>● Black Matt |
|    | OML-33A 35x85MM SSS<br>OML-33A 35x85MM BM                   | Narrow Style Lock Body for Aluminium Doors with Latch & Dead Bolt<br>Finish : SSS/BM  | Pcs. |      | ● Silver Anodized<br>● Black Matt |
|    | OZML-DL1 30MM SSS<br>OZML-DL1 30MM BM                       | Narrow Style Mortise Lock Body with Dead Bolt(Also Suitable for Aluminium Framed Doors)<br>Finish : SSS   | Pcs. |      | ● SSS<br>● Black Matt             |
|   | OZML-DL1 35MM SSS<br>OZML-DL1 35MM BM                       | Narrow Style Mortise Lock Body with Dead Bolt(Also Suitable for Aluminium Framed Doors)<br>Finish : SSS   | Pcs. |      | ● SSS<br>● Black Matt             |
|  | OZADS-11C 830<br>OZADS-11C 930<br>OZADS-11C 1030            | Dropdown seal 830/930/1030 (Cross-section dimension is 28X30mm)   | Pcs. |      |                                   |
|  | OZADS-44G 1030<br>OZADS-44G 1130<br>OZADS-44G 1220          | Glass dropdown seal   | Pcs. |      |                                   |
|  | OZ-2BB-FP-SL 5"x3"x3MM SSS<br>OZ-2BB-FP-SL 5"x3"x3MM BM     | K-LITE flush hinges comes in SUS 304. Hinges comes in Stainless Steel finish.<br>Weight : 50 Kgs / Pair<br>Size : 120mm   | Pcs. |      | ● SSS<br>● Black Matt             |
|  | OZKLPH-001 STD AL<br>OZKLPH-001 STD BK                      | K-LITE material consists of alloy material. Hinges comes in brush aluminium finish.<br>For glass thickness : 10mm to 12mm<br>Max. door weight : 50 Kgs / Pair<br>Max. door width : 900mm<br>Max. door height : 2700mm | Pcs. |      | ● Silver Anodized<br>● Black Matt |

● Gold Matt ● Champagne Matt ● Rose Gold Matt  
\*Finishes Available on Request

## HARDWARE ACCESSORIES

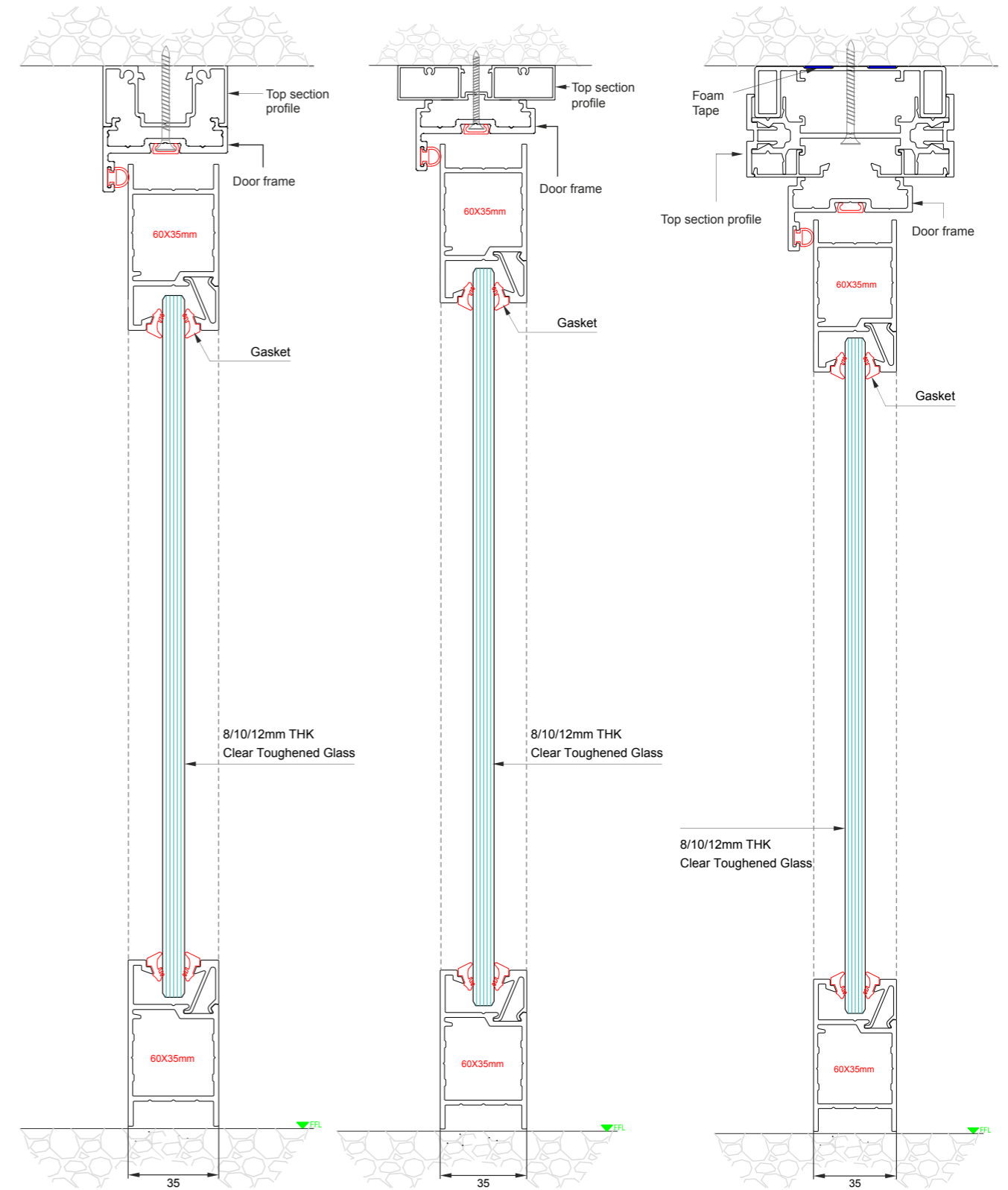
### OZONE HARDWARE

| IMAGES  | CODE                  | DESCRIPTION  | UNIT | SIZE | COLOUR       |
|---|-----------------------|--|------|------|--------------|
|    | OZ-FDL-33 LIFE SW STD | Smart Feature: Suitable for both Sliding & Swing Door   Passage Mode   Anti-Theft Password   Audit Trail   Low Power Consumption   Dual Combination Mode*   Smart Freeze USB for Battery Backup   Privacy Locking<br>Password: 6 ~15 digits number combination<br>Door Thickness: 35~80mm<br>Power: AAA Alkaline battery X 4 (DC 6V)<br>Battery Life: Approx. 3500 Open & Close Operations<br>Types of Password : Timed   Permanent   One Time<br><br>Access Modes:<br>Fingerprint Upto 100 Nos.<br>RFID Upto 100 Nos.<br>Password Upto 100 Nos. | Pcs. |      | ● Black Matt |
|  | OZ-FDL-33 LIFE SL STD | Smart Feature: Suitable for both Sliding & Swing Door   Passage Mode   Anti-Theft Password   Audit Trail   Low Power Consumption   Dual Combination Mode*   Smart Freeze USB for Battery Backup   Privacy Locking<br>Password: 6 ~15 digits number combination<br>Door Thickness: 35~80mm<br>Power: AAA Alkaline battery X 4 (DC 6V)<br>Battery Life: Approx. 3500 Open & Close Operations<br>Types of Password : Timed   Permanent   One Time<br><br>Access Modes:<br>Fingerprint Upto 100 Nos.<br>RFID Upto 100 Nos.<br>Password Upto 100 Nos. | Pcs. |      | ● Black Matt |

# SD 60-DOOR FRAMED PROFILE



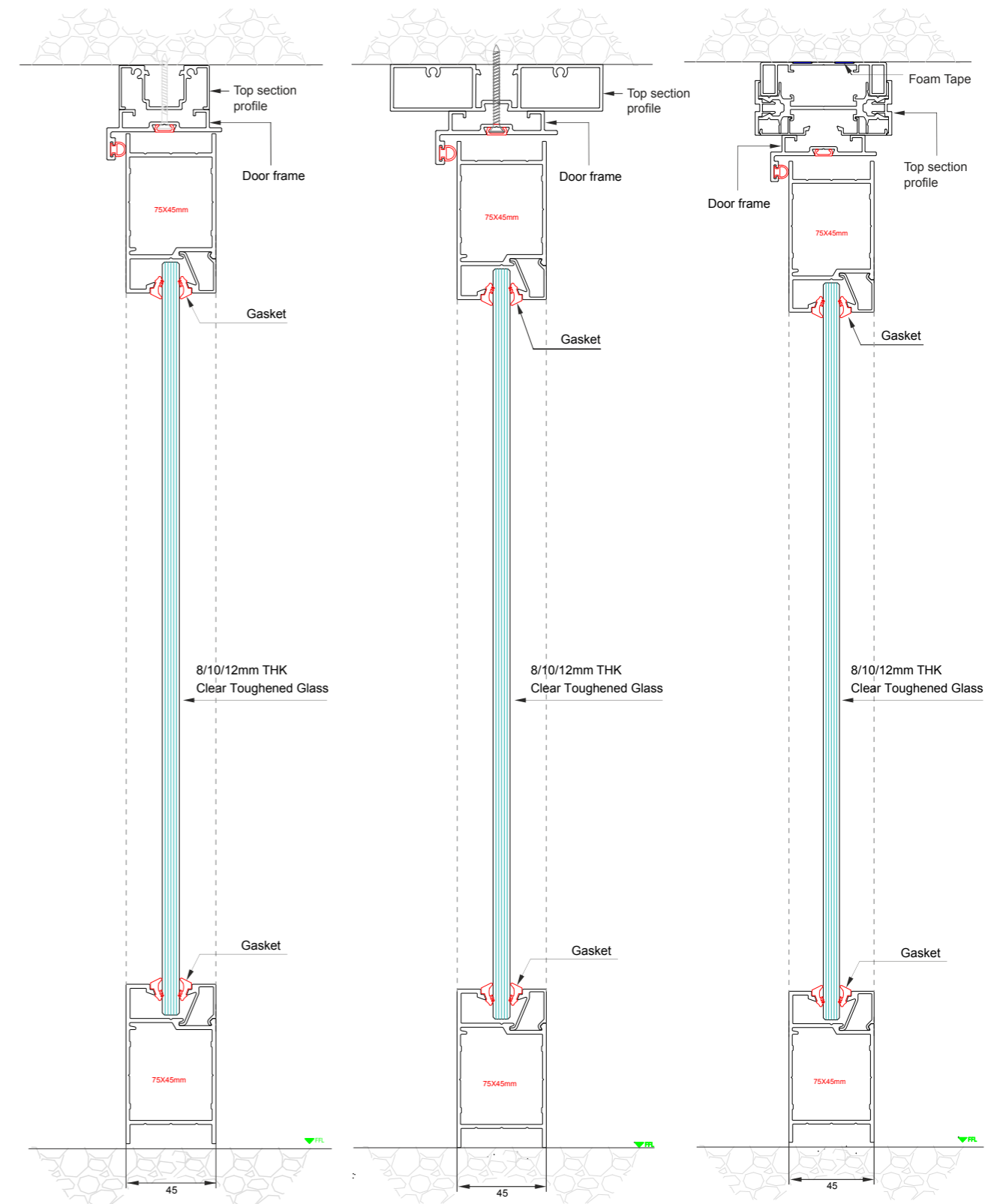
# SD 60



# SD 75-DOOR FRAMED PROFILE



# SD 75



## FRAMED SLIDING



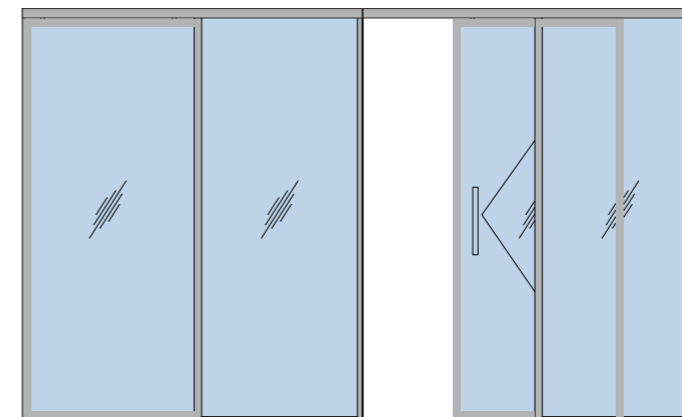
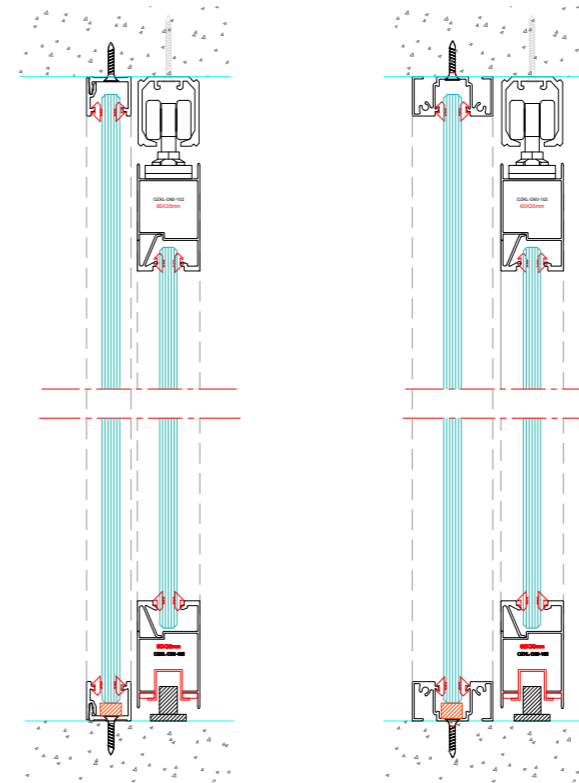
## FRAMED SLIDING

### Technical Detail

Sliding door system enables glass doors to retain their minimalist aesthetics.

Sliding glass doors provide huge space benefit and minimalist design. When combined with proven roller technology, it ensures that even high doors can be operated smoothly and with ease.

The doors are gently decelerated and reliably hold in both their closed and opened states by specially developed catch type buffers.



**OZ-ESL-WD-44-SC-N STD**  
Soft Close Sliding System with  
Accessories for Framed/Wooden Door  
(Single Door) W/O Track  
Maximum Door Weight: 60kg/Door



**OZ-ESL-TRACK-E5-N 2M STD**  
**OZ-ESL-TRACK-E5-N 4M STD**  
Top Track Available in 2mtr & 4mtr



**OZ-ESL-FG-BT 2M STD**  
Bottom Track

**OGH-55 32x457MM SSS**  
**OGH-55 32x457MM BM**  
**OGH-55 25x600MM SSS**  
**OGH-55 25x600MM BM**  
For glass thickness : 10mm to 12mm  
SSS/BM finish.  
Material : SUS 304

## GLASS DOOR



## ACCESS CONTROL PANEL



## ACCESS CONTROL PANEL

### Single & Double Glazing

Primarily, K-LITE offers 3 types of Panels as standard design assembling, available with existing K-LITE Demountable Partition Series. Aparten required by the client.

Panels available are as follows:

45 x 50 series (Compact series)

80 x 80 series (Eta Portal)

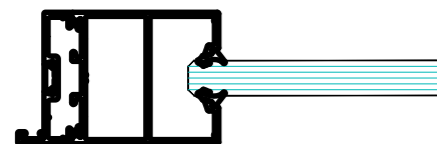
100 x 100 series (Eco line Portal)

K-LITE Tech panels not only provide acoustic values, which strengthen the integrity of the room, but also conceal all power and data cables required for electrical switches/devices, embedded within the Tech panel face.

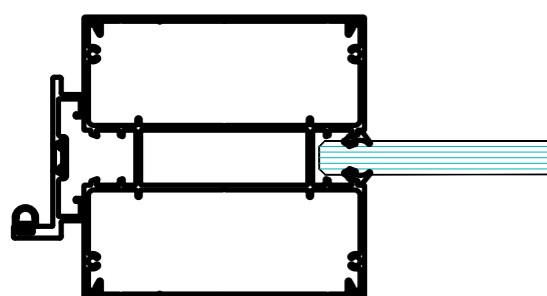
Ideally, room booking systems are mounted on an adjacent wall outside meeting room, which can be problematic. If the meeting room front is of glass construction, wiring and fixing cables cannot be kept open. With K-LITE Tech panels, things become easy since all cabling gets concealed within the cavity to meet the aesthetics and usability.

Meeting rooms are mostly occupied for multiple meetings and conference spaces. These K-LITE Tech panels provide the necessary tools for booking system. This piece of technology allows people to see if a meeting room is available or in use, as well as view the information in meeting scheduler about the meeting which is going to take place in that cabin.

Available with 2 finish : Anodised Aluminium and Matt Black, readily available at any given point off the shelf.



45 x 50 series (Compact series)



100x100 series (Eco line Portal)



## HARDWARE

Sophisticated design and functional quality are the characteristics of K-LITE fittings. They excel in terms of both technology and operating reliability, manufactured from high grade materials which are carefully crafted.

K-LITE door hinges satisfies demands with respect to stability, safety and corrosion resistance.

### OZKLPH-001 STD AL OZKLPH-001 STD BK Glass Door Hinges (Square)

K-LITE material consists of alloy material.

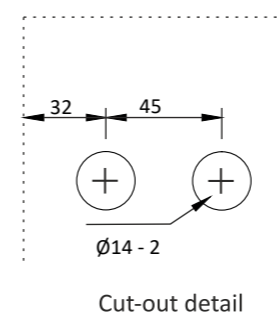
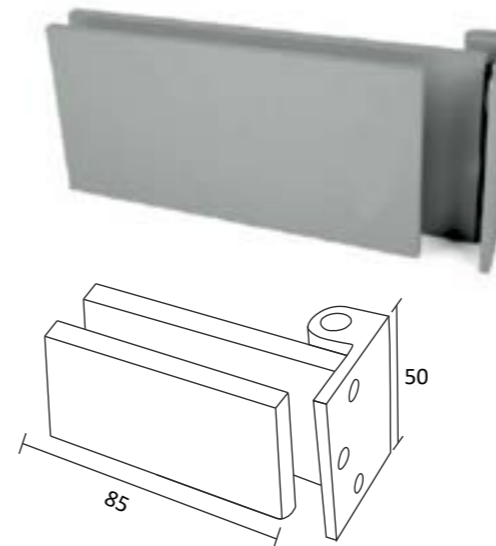
Hinges comes in brush aluminium finish.

For glass thickness : 10mm to 12mm

Max. door weight : 50 Kgs / Pair

Max. door width : 900mm

Max. door height : 2700mm



Available Finish:    
Black Silver

K-LITE pivot series reflect charm and neatness with their simple and minimal visibility, to enhance the inherent beauty and character for toughened frame less glass doors.

### OZ-PGDH STD BM OZ-PGDH STD SSS Glass Door Pivot Hinges (Square)

K-LITE material consists of alloy material.

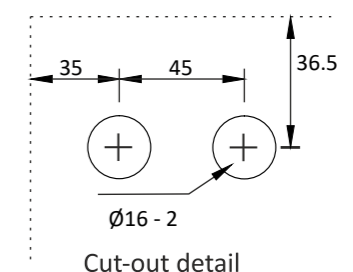
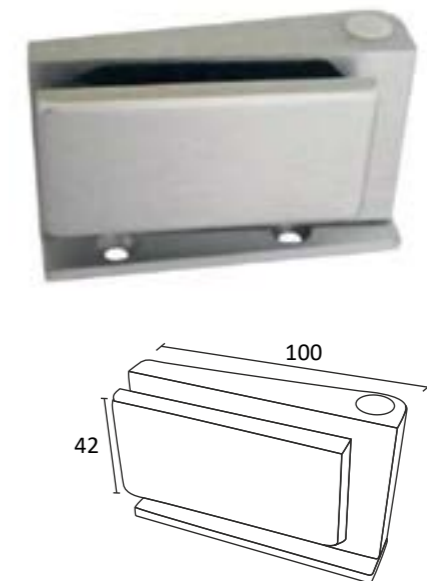
Hinges comes in brush aluminium finish.

For glass thickness : 10mm to 12mm

Max. door weight : 50 Kgs / Pair

Max. door width : 900mm

Max. door height : 2700mm



Available Finish:    
Black Silver

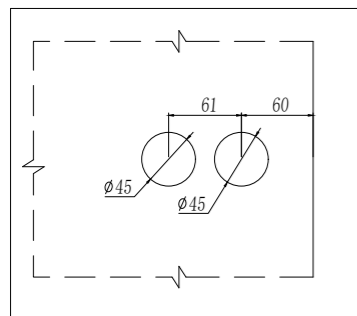


## HARDWARE

From the inception, K-LITE has been devoted to developing new and innovative products in the tradition of the finest design and craftsmanship.

**OZ-DP1/2-GDL STD AN**  
**OZ-DP1/2-GDL STD BM**  
**Glass Door Studio Lock**

K-LITE material consists of Alloy material.  
Hinges comes in Aluminium finish.  
For glass thickness : 10mm to 12mm

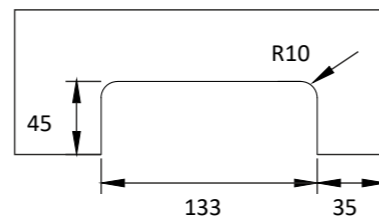
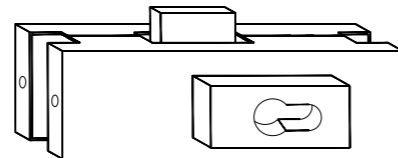


Available Finish:    
**Black Silver**

Security, being a prime concern, what would be better than a bottom patch lock which takes care of it elegantly. K-LITE not only have a regular bottom lock, but with aluminium finish to give it a neat look.

**OPL-1P STD BM**  
**OPL-1P STD SS**  
**Glass Bottom Lock**

K-LITE material consists of Alloy material.  
Lock comes in Black finish & Stainless Steel finish.  
For glass thickness : 10mm to 12mm



Cut-out detail

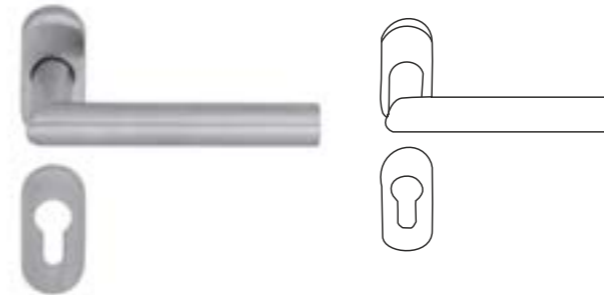
Available Finish:    
**Black Silver**

## HARDWARE

Sophisticated design and functional quality are the characteristics of the K-LITE fittings. K-LITE hardware includes the most popular model, all of which are right or left spring, in order to return the lever handle to the horizontal position. K-LITE hardware is suitable for standard, national and international applications eg. commercial spaces, school, mall segment and interior doors in office buildings.

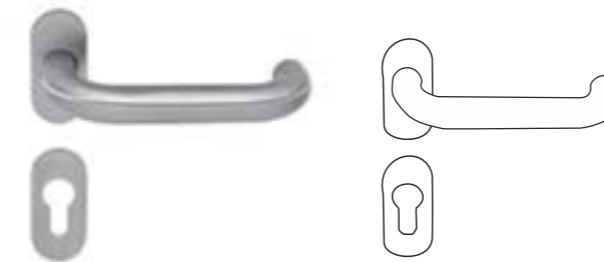
**OMH-11LN STD SSS**  
**Mortise Handle**

K-LITE material consists of SUS 304.  
Lever Handle in Stainless Steel finish.  
Suitable for Aluminium Frame Doors & Flush Doors.  
Available with oval shape rosettes.



**OMH-33N STD SSS**  
**Mortise Handle**

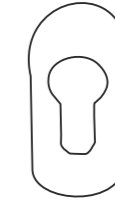
K-LITE material consists of SUS 304.  
Lever Handle in Stainless Steel finish.  
Suitable for Aluminium Frame Doors & Flush Doors.  
Available with oval shape rosettes.



Available Finish:    
**Black Silver**

**OZKCLKH - 001**  
**Oval Key Hole**

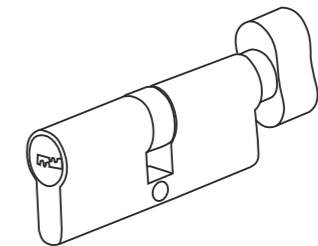
Material : SS SUS 304  
Oval Key Hole Use For Dead Lock.



Available Finish:    
**Black Silver**

**OMC-11-K2N-P 60/70/80MM SN**  
**Cylinder**

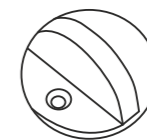
Material : SS SUS 304  
Supplied with 5 keys computerised.  
Size : 60mm/70mm.  
One side Knob + One side Key.



Available Finish:    
**Black Silver**

**OZ-DST-11**  
**Door Stopper**

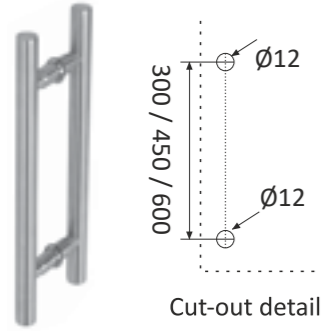
Ideal solution to stop door from going further more than required.  
Half moon type door stopper.  
Material : SUS 304



Available Finish:    
**Black Silver**

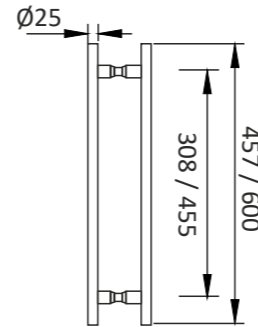
## HARDWARE

They may not be apparent at first sight, but once noticed, it's visual impact is unmistakable. K-LITE handles enhance the allure of any door. Individual and versatile.

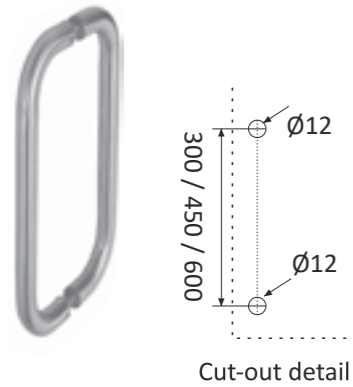


**OGH-55 32X457MM SSS**  
**OGH-55 25X600MM SSS**  
**Glass Door Handle**

K-LITE material consists of SUS 304 Material.  
Hinges comes in Stainless Steel finish.  
For glass thickness :10mm to 12mm  
Size :300mm

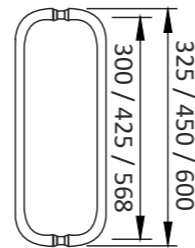


Available Finish:    
**Black Silver**

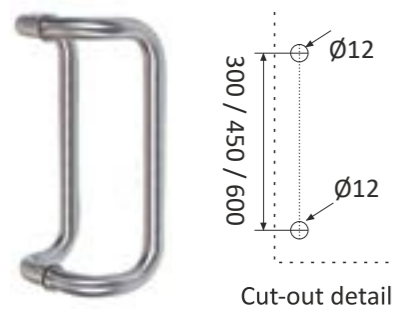


**OGH-11 25X325MM SSS**  
**OGH-11 25X450MM SSS**  
**OGH-11 32X600MM SSS**  
**Glass Door Handle**

K-LITE material consists of SUS 304 Material.  
Hinges comes in Stainless Steel finish.  
For glass thickness :10mm to 12mm  
Size :300mm

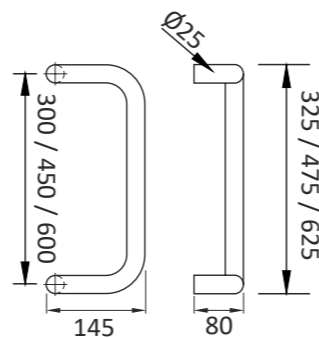


Available Finish:    
**Black Silver**



**OGH-OFS-11 25X325MM SSS**  
**OGH-OFS-11 25X475MM SSS**  
**OGH-OFS-11 25X625MM SSS**  
**Glass Door Handle**

K-LITE material consists of SUS 304 Material.  
Hinges comes in Stainless Steel finish.  
For glass thickness :10mm to 12mm  
Size :300mm



Available Finish:    
**Black Silver**

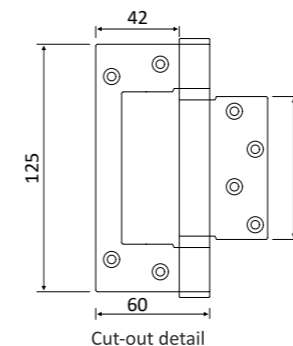
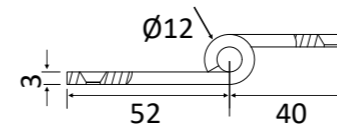
## HARDWARE

K-LITE solid door hinges are superb in quality due to its latest mechanism and corrosion proof metal with SUS 304 grade quality. It's design gives an extra edge against regular fittings.

**OZ-2BB-FP-SL 5"x3"x3MM BM**  
**OZ-2BB-FP-SL 5"X3"X3MM SSS**  
**Flush Hinges**

K-LITE flush hinges comes in SUS 304.  
Hinges comes in Stainless Steel finish.  
Weight : 50 Kgs / Pair  
Size : 120mm

Note : Colour option available as required.



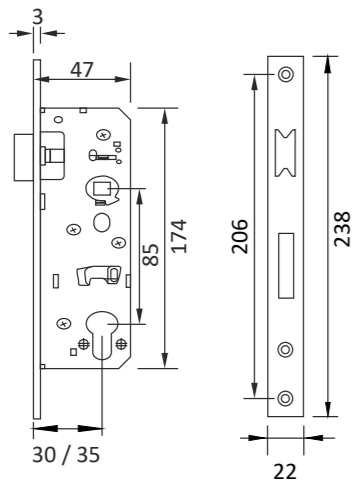
Available Finish:    
**Black Silver**

## HARDWARE

K-LITE solid door hinges are superb in quality due to its latest mechanism and corrosion proof metal with SUS 304 grade quality. It's design gives an extra edge against regular fittings.

**OML-33A 35X85MM SSS**  
**OML-33A 30X85MM SSS**  
**Mortise Lock Body**

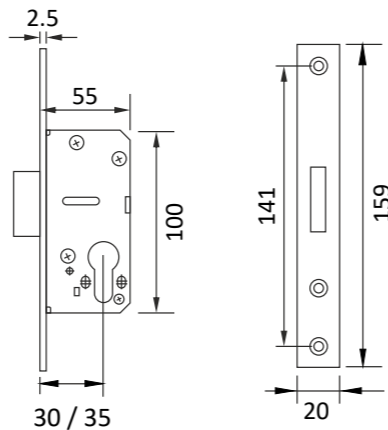
K-LITE Mortise Body comes in SS Material.  
Suitable for Aluminium Frame Doors & Flush Doors.  
Door Thickness : 35mm to 50mm



Available Finish:    
**Black Silver**

**OZML-DL1 30MM SSS/BM**  
**OZML-DL1 35MM SSS/BM**  
**Dead Lock Body**

K-LITE LITE Dead Body comes in SS Material.  
Suitable for Aluminium Frame Doors & Flush Doors.  
Door Thickness : 35mm to 50mm



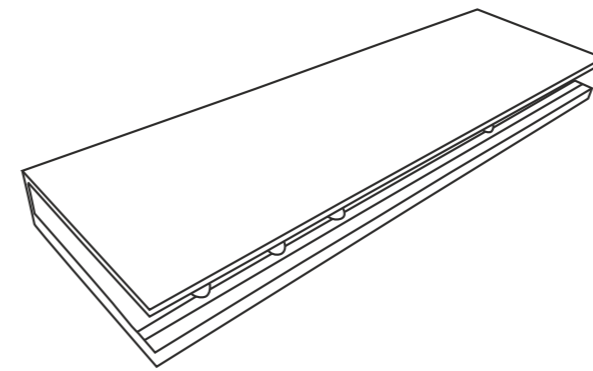
Available Finish:    
**Black Silver**

## HARDWARE

**NSK-ACC-980-PLATE STD SILVER**  
**NSK-ACC-780-PLATE STD SILVER**  
**Overhead Door Closer Glass Clamp**

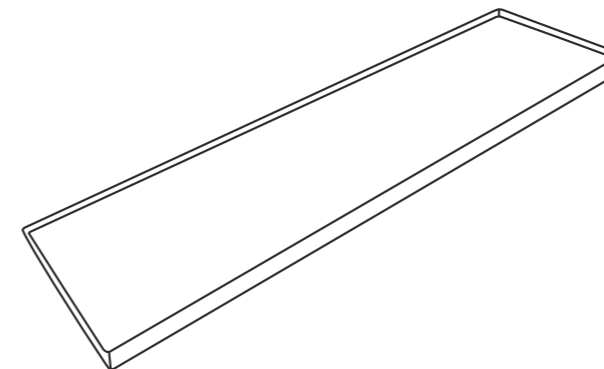
Overhead door closer glass clamp is used along with sliding arm door closer.

Material : Aluminium  
Glass Thickness : 10mm to 12mm  
Finish : Silver / Black



**OZKLAP - 01**  
**Specially designed Amateur Plate**

Used between door closer & glass clamp to fill the gap.



## International Offices



### Melbourne, Australia

32-40 Tarnard Drive, Braeside VIC  
3195, Tel: +61 1300 088 225  
Mob +61 (0) 4 301 301 02  
info@ozoneaustralia.com.au  
www.ozoneaustralia.com.au



### Dubai, UAE

OZONE MEA TRADING LLC  
Office no 129, Al Uruba Business  
center, garhoud views building,  
mezzanine floor (M1-3) Al Garhoud,  
PO Box 430704, Dubai UAE.

## Works

Ozone Overseas Pvt. Ltd.  
Trilokpur Road, Kheri,  
Nahan District-Sirmour  
Kala Amb  
Himachal Pradesh

### For Hardware Solutions:

#### New Delhi\*

1/122, Timber Mkt., Kirti Nagar,  
New Delhi  
Tel : +91-11-49124400, 01  
delhihub@ozone-india.com

### For Security Solutions:

#### Gurugram\*

#548 Udyog Vihar, Phase 5,  
Sector 19, Gurugram,  
Haryana-122016  
Tel: +91-124-4961164, 65

## Branch Offices

#### Ahmedabad

407, 4<sup>th</sup> Floor, Shivalik Abaise,  
Opp. Shell Petrol Pump,  
Praladnagar,  
Ahmedabad – 380051  
Tel: +91-079-29706789

#### Bengaluru\*

No. 424, 2<sup>nd</sup> Floor, Above  
HDFC Bank,  
Passport Office Road, 6<sup>th</sup> block,  
Koramangala, Bengaluru - 560034  
Tel: +91-80-41207539  
blrhub@ozone-india.com

#### Chandigarh

SCO 907, NAC Mani Majra  
Near Solitaire Hotel,  
Chandigarh - 160101  
Mob: +91-9316001154

#### Chennai\*

1-A, Jasoda Apartments,  
No: 12, Ground Floor, Bank Street,  
Kilpauk, Chennai - 600010.  
Tel: 044-43802063

#### Cochin

No. 737/11, Opp. Lotus Club,  
Warriam Road, Eranakulam, Cochin  
Kerala - 682016  
Mob: +91-7291981739

#### Hyderabad

Unit # 704, 7<sup>th</sup> Floor,  
Shangrila Plaza,  
Road No. 2, Banjara Hills,  
Hyderabad - 500034

#### Indore

503, B Block,  
Prakrati Corporate,  
Y N Road, Indore - 452001  
Mob: +91-9589589902

#### Jaipur

27, 5<sup>th</sup> Floor, Mahima Trinity Mall,  
Swey Farm, New Sanganer Road,  
Jaipur-302019  
Tel: +91-141-2294261  
jaipurhub@ozone-india.com

#### Kolkata

4 Govt Place, 4<sup>th</sup> floor,  
Room No:- 4H  
Delta House. Kolkatta - 700001  
Mob: +91-9831176481

#### Lucknow\*

Ground Floor,  
Eldeco Corporate Chambers,  
Vibhuti Khand, Gomti Nagar,  
Lucknow - 226010  
Tel: +91-0522-4109647  
Mob: 9794970000

#### Mumbai

The Avenue, 607,  
Near Waterstones Hotel,  
Int. Airport Road,  
Marol, Andheri (E),  
Mumbai - 400059  
Tel : +91-22-28306453  
Mob: +91-7045775977

#### Pune

#105, 1<sup>st</sup> Floor, Suyog Center  
Market Yard, Gultekdi,  
Pune – 411037  
Mob: +91-7678117567

#### Surat

201, Luxuria Business Hub, Nr.V.R.Mall,  
Surat-Dumas Road, New Magdalla  
Road,  
Surat - 395007  
Mob: +91-9724009921

#### Visakhapatnam

Door No 48-3-39, Sarayu Residency  
Srinagar, Opp. Day and Night  
Hospital, Visakhapatnam  
A.P. 530016  
Mob: +91-9515156438

\*Also Operation Office

### Download Ozone India App



Visit Website



Android



iOS

Specifications subject to change without notice



Corporate Office: H-40, Bali Nagar, New Delhi - 110015, INDIA

www.ozone-india.com | Customer Care: +91-9310012300 | customercare@ozone-india.com